

LED100c/FL TURBO LED FLOOD LIGHT



IWASAKI ELECTRIC CO., LTD.

Address: 1-1-7 Higashinonbashi,
Chuo - Ku, Tokyo 103-0004 Japan.

☎ : +81-3-5846 9015 Fax : +81-3-5846 9033 🌐 : www.eyec.co.jp
🌐 : www.eyelightingasia.com

PRODUCT SUMMARY

ELECTRICAL SYSTEM



- **Power Consumption** : 320W, 450W, 480W, 550W, 600W
- **Input Voltage** : 100 - 240Vac (50/60Hz)
- **Power Factor** : > 0.96
- **Insulation Class** : Class I
- **LED Driver** : Constant Current
: Constant Lumen Output (Optional)
: 0-10V/ PWM/ Timer Dimmable
: Programmable
: Input Surge Protection
: IP67 water & dust proof
- **Surge Protective Device** : I_{max} 25kA (50kV)
- **Optional Control Features** : Motion Sensor, Daylight Sensor
: Smart Lighting Controller
- **Operating Temperature** : -20°C to +50°C

FIXTURE HOUSING



- **Housing Material** : LM6 (Corrosion Resistant Aluminum)
- **Housing Finishing** : Akzo Nobel Powder Coating
RAL9007 Golden Grey
- **Ingress Protection (IP)** : IP66 water & dust proof
- **Impact Resistance (IK)** : IK09 (10 Joules of Impact)
- **Vibration Resistance** : 3G, 3D Vibration 100,000 Cycles Test
(Anti-Vibration Variant Only)
- **Tilting Adjustment** : Allowable tilt up to 162° (Upward)
(Subjected to different mounting type)
- **Nett Weight (kg) (Complete Luminaire) Fixture + Gearbox** : 320W : approx. 20.8 kg
450W : approx. 21.7 kg
480W : approx. 21.1 kg
600W : approx. 21.6 kg
- **Gross Weight (kg) (Complete Package) Fixture + Gearbox** : 320W : approx. 25.0 kg
450W : approx. 25.8 kg
480W : approx. 25.3 kg
600W : approx. 25.7 kg

LIGHT SOURCE / OPTIC SPECIFICATION



- **LED Type 1 / Optic** : SMD 3737 with 8°, 15°
- **LED Type 2 / Optic** : SMD 5050 with 30°, 60°, A5
- **Color Temperature (CCT)** : Standard 5000K
(Other upon request)
- **Color Rendering Index (CRI)** : RA > 70
(RA > 80, 90 upon request)
- **Life Time Residual Flux** : (L80) > 50,000 hours
@ Ta = 50 °C

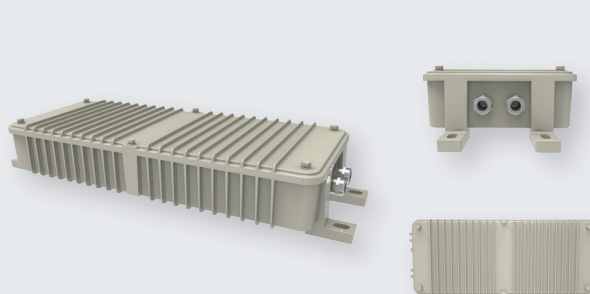
STANDARDS & CERTIFICATION TEST



- **Type Test Compliance (Luminaire)** : IEC 60598-1, IEC 60598-2-1
: IEC 60598-2-5, IEC/TR 62778
- **EMC Compliance (LED Driver)** : IEC 61000-3-2, IEC 61000-3-3
: IEC 55015, IEC 61547, EN 62493
- **LED Compliance Test** : IESNA LM-80, TM-21
- **Ingress Protection Test** : IEC 60529 (IP66)
- **Impact Resistance Test** : IEC 62262 (IK09)
- **RoHS Compliance** : EN62321
- **ANSI C136.31 Vibration Test (3G)**

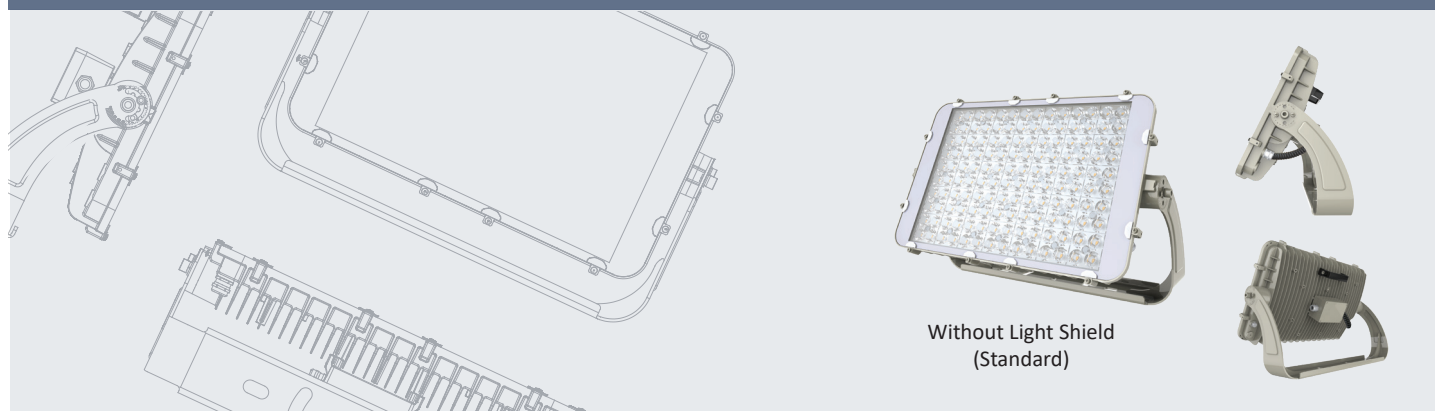


• Turbo LED Floodlight Fixture



• IP66 Remote Control Gearbox

PRODUCT TECHNICAL DATA



Without Light Shield
(Standard)

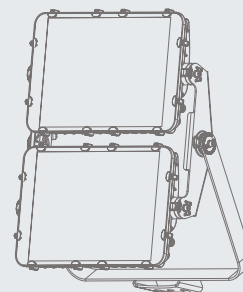
Model	LEDioc/FL Turbo 320W Series		LEDioc/FL Turbo 450W Series
Power Consumption ±5% (W)	320W		450W
Beam Angle	8° / 15°	30° / 60°	8° / 15° / A5
Luminaire Flux ±5% (lm)	41,600		54,000
System Efficacy ±5% (lm/W)	130		120
Power Factor (PF)	> 0.96		> 0.96
Surge Protection Device (kA/kV)	Imax 25kA (50kV)		Imax 25kA (50kV)
Fixture Dimension L x W x H (mm)	603 x 408 x 205		
Fixture Carton Dimension L x W x H (mm)	650 x 540 x 240		
Fixture Net Weight (kg)	14.40	15.20	15.00
Fixture Carton Gross Weight (kg)	17.25	18.00	17.80
Fixture Carton CBM (m ³)	0.0842		0.0842
Gear Box Dimension L x W x H (mm)	575 x 208 x 99.5		
Gear Box Carton Dimension L x W x H (mm)	630 x 300 x 160		
Gear Box Net Weight (kg)	5.80		6.70
Gear Box Gross Weight (kg)	7.20		8.00
Gear Box Carton CBM (m ³)	0.0302		0.0302



With Light Shield
(Optional)

Coming Soon

900W / 960W / 1200W
(2x450W) (2x480W) (2x600W)

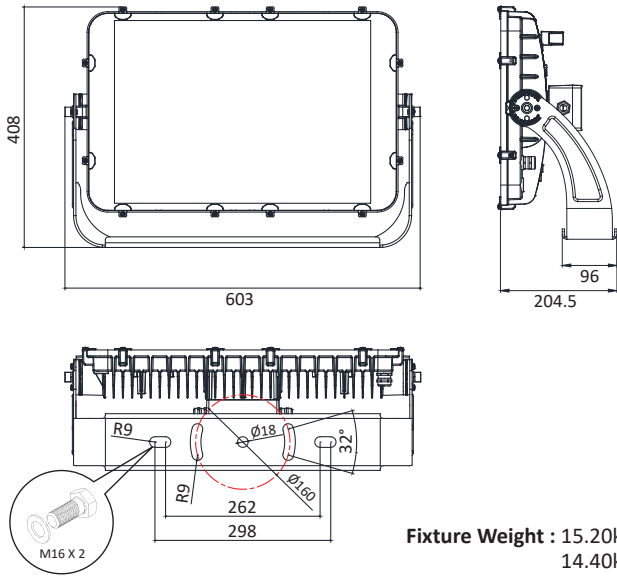


Model	LEDioc/FL Turbo 480W Series	LEDioc/FL Turbo 550W Series	LEDioc/FL Turbo 600W Series
Power Consumption ±5% (W)	480W	550W	600W
Beam Angle	30° / 60°	A5	30° / 60°
Luminaire Flux ±5% (lm)	72,000	66,000	90,000
System Efficacy ±5% (lm/W)	150	120	150
Power Factor (PF)	> 0.96	> 0.96	> 0.96
Surge Protection Device (kA/kV)	Imax 25kA (50kV)	Imax 25kA (50kV)	Imax 25kA (50kV)
Fixture Dimension L x W x H (mm)	603 x 408 x 205		
Fixture Carton Dimension L x W x H (mm)	640 x 485 x 305		
Fixture Net Weight (kg)	14.30		
Fixture Gross Weight (kg)	17.25		
Fixture CBM (m ³)	0.0842		
Gear Box Dimension L x W x H (mm)	575 x 208 x 99.5		
Gear Box Carton Dimension L x W x H (mm)	630 x 300 x 160		
Gear Box Net Weight (kg)	6.70	7.20	7.20
Gear Box Gross Weight (kg)	8.00	8.40	8.40
Gear Box Carton CBM (m ³)	0.0302	0.0302	0.0302

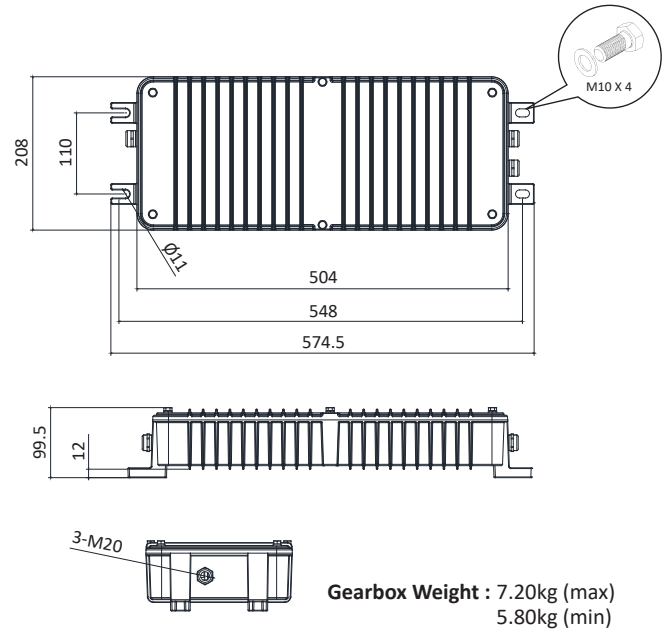
PRODUCT DIMENSION

ALL DIMENSION IN mm

IP66 Fixture

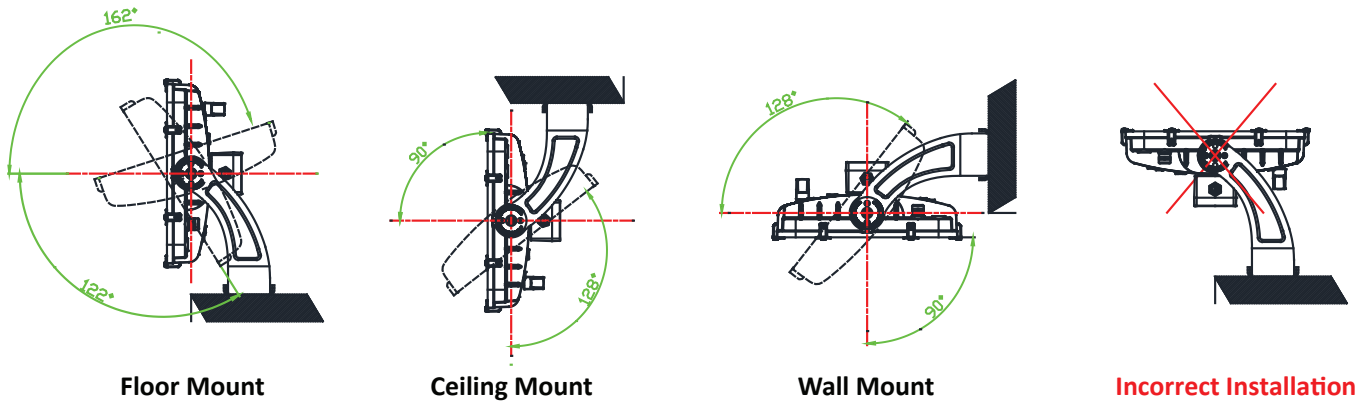


IP66 Gear Box



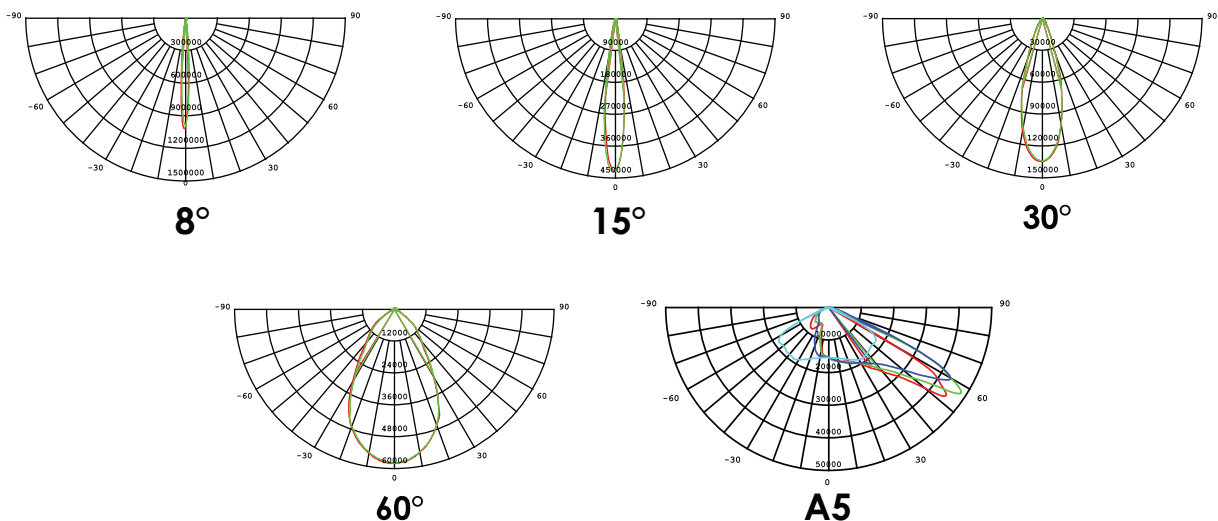
Note : The weight of the fixture and gearbox subjected to change with different beam angle & wattage, fixture is the same.

MOUNTING AND TILTING ADJUSTMENT



PHOTOMETRY DATA

Other optics upon request



Note : The above photometry (beam angle) is based on LEDiOC/FL Turbo 320W

ORDERING CODE

(Fixture Configuration)

(Control Gear)

E 320 5K 08 S N / D 1

- 1** : With IP66 Remote Gearbox ; **0** : IP20 Gearplate
- D** : Standard 0-10V/PWM/ Timer (3 in 1 Dimmable)
- B** : Dali/Timer Dimmable
- K** : 0-10V/PWM Dimmable
- S** : High input Voltage (249-528 Vac) 3 in 1 Dimmable
- Light Shield - **N** : Standard Without Light Shield ; **G** : With Light Shield
- Variant - **S** : Sports ; **V** : Anti Vibration
- Beam Angle - **8°** ; **15°** ; **30°** ; **60°** ; **A5** (ASSY50)
- Colour Temperature CCT - **5000K** (Standard Neutral White)
- Wattage Range - **320W** ; **450W** ; **480W** ; **550W** ; **600W**
- EYE Brand

LEDiOC/FL Turbo 320W Series

Code	Model Description	CCT	Beam Angle	Variant	Gearbox
E3205K08SN/D1	Turbo 320W	5000K	8°	Sports	(1) : With IP66 Gearbox (0) : With IP20 Gearplate
E3205K15SN/D1	Turbo 320W	5000K	15°	Sports	
E3205K30SN/D1	Turbo 320W	5000K	30°	Sports	
E3205K60SN/D1	Turbo 320W	5000K	60°	Sports	
E3205K08VN/D1	Turbo 320W	5000K	8°	Anti Vibration	
E3205K15VN/D1	Turbo 320W	5000K	15°	Anti Vibration	
E3205K30VN/D1	Turbo 320W	5000K	30°	Anti Vibration	
E3205K60VN/D1	Turbo 320W	5000K	60°	Anti Vibration	



Front View



Side View

LEDiOC/FL Turbo 450W Series

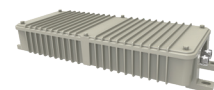
Code	Model Description	CCT	Beam Angle	Variant	Gearbox
E4505K08SN/D1	Turbo 450W	5000K	8°	Sports	(1) : With IP66 Gearbox (0) : With IP20 Gearplate
E4505K15SN/D1	Turbo 450W	5000K	15°	Sports	
E4505K08VN/D1	Turbo 450W	5000K	8°	Anti Vibration	
E4505K15VN/D1	Turbo 450W	5000K	15°	Anti Vibration	



Rear View

LEDiOC/FL Turbo 480W Series

Code	Model Description	CCT	Beam Angle	Variant	Gearbox
E4805K30SN/D1	Turbo 480W	5000K	30°	Sports	(1) : With IP66 Gearbox (0) : With IP20 Gearplate
E4805K60SN/D1	Turbo 480W	5000K	60°	Sports	
E4805K30VN/D1	Turbo 480W	5000K	30°	Anti Vibration	
E4805K60VN/D1	Turbo 480W	5000K	60°	Anti Vibration	



(1) : IP66 Remote Gearbox

Eg: E3205K08S/D1

LEDiOC/FL Turbo 550W Series

Code	Model Description	CCT	Beam Angle	Variant	Gearbox
E5505KA5SN/D1	Turbo 550W	5000K	Asymmetrical	Sports	(1) : With IP66 Gearbox (0) : With IP20 Gearplate
E5505KA5VN/D1	Turbo 550W	5000K	Asymmetrical	Vibration	

LEDiOC/FL Turbo 600W Series

Code	Model Description	CCT	Beam Angle	Variant	Gearbox
E6005K30SN/D1	Turbo 600W	5000K	30°	Sports	(1) : With IP66 Gearbox (0) : With IP20 Gearplate
E6005K60SN/D1	Turbo 600W	5000K	60°	Sports	
E6005K30VN/D1	Turbo 600W	5000K	30°	Anti Vibration	
E6005K60VN/D1	Turbo 600W	5000K	60°	Anti Vibration	



(0) : IP20 Gearplate

Eg: E3205K08S/D0

Note : 1. Above are standard product codes comes with **Standard 3 in 1 Dimmable LED Driver (D)** and come with **IP66 Remote Gearbox (1)**.
2. Light Shield, IP20 Gear Plate, other driver model, other colour temperature CCT can be made upon request.

IWASAKI ELECTRIC CO., LTD. (HEADQUARTER)

Address: 1-1-7 Higashinohonbashi,
Chuo – Ku, Tokyo 103-0004 Japan.
Telephone: +81-3-5846 9015
Fax: +81-3-5846 9033
Email: sales@eye.co.jp

EYE LIGHTING ASIA PACIFIC PTE LTD (SINGAPORE)

Address: 21 Kaki Bukit Place Eunos Techpark, Singapore 416 199
Telephone: +65-6742 3611
Fax: +65-6743 5202
Email: support@eyelighting.com.sg

ELM LIGHTING SDN BHD (MALAYSIA)

Address: No. 16 & 18, Jalan Utarid U5/29,
Mah Sing Integrated Industrial Park, Seksyen U5,
40150 Shah Alam, Selangor, Malaysia.
Telephone: +603-7832 7600, +603-7859 7847
Fax: +60-37859 7947
Email: sales@elmlighting.com.my

EYE LIGHTING (THAILAND) CO., LTD.

Address: 21F, Room No. 2105-6 United Business Center II Building
Sukhumvit Road Soi 33, North Klongton, Wattana
Bangkok, 10110, Thailand
Telephone: +66-(0)2-662-1867
Fax: +66-(0)2-662-1868
Email: sales@elt.co.th

EYE LIGHTING AUSTRALIA PTY LTD.
Queensland, Australia

EYE LIGHTING(HONG KONG)LTD.
Hong Kong

EYE LIGHTING NEW ZEALAND LTD.
New Zealand

**EYE LIGHTING INTERNATIONAL
OF NORTH AMERICA, INC.**
Ohio, USA

Official Website: www.eyelightingasia.com
www.eye.co.jp (Japan)

