

## LED Flood Light

## LEDioc Floodlight Class 60

ECF6040N/D(N,W,L,NH)SAN8/DG(W)  
 ECF6040M/D(N,W,L,NH)SAN8/DG(W)  
 ECF6040W/D(N,W,L,NH)SAN8/DG(W)  
 ECF6040SW/D(N,W,L,NH)SAN8/DG(W)



Example of Construction (Image)

- Capable of delivering brightness equivalent to 150W metal halide lamp (5000K/Ra70 type)
- Proprietary light distribution control technology allows for four types of luminous intensity distribution: narrow, medium, wide and super wide beam
- Lineup : 6500K, 5000K, 4000K, 2700K, 2100K
- Ra80 high color rendering vividly illuminates objects
- The 5000K type also includes a highly efficient 149lm/W (5000K/super wide)
- Any position structure allows for various mounting directions and installation
- Quickly reaches full brightness
- Long life : 60,000 hours
- Utilizes highly efficient/high-powered COB-type LED package\*

This light source, offering top-class energy saving performance has been achieved through a new optical design utilizing both a lens and a mirror, and also through highly efficient usage of electric power. With COB (Chip on board) type lighting, large numbers of LED devices are mounted directly onto substrate. As light is therefore emitted from a single uniform surface, a natural lighting environment of even brightness close to that created by surface emission can be achieved.



## Product Series

Model Number	Power Consumption	CCT	CRI	Luminous Flux	Beam Angle	Luminous Efficacy
ECF6040N/DSAN8/DG(W)	56.6W	6500K	70	6400 lm	Narrow beam	113.0 lm/W
ECF6040N/NSAN8/DG(W)	56.6W	5000K	70	6800 lm	Narrow beam	120.1 lm/W
ECF6040N/WSAN8/DG(W)	56.6W	4000K	80	6000 lm	Narrow beam	106.0 lm/W
ECF6040N/LSAN8/DG(W)	56.6W	2700K	80	5600 lm	Narrow beam	97.1 lm/W
ECF6040N/NHSAN8/DG(W)	56.6W	2100K	65	5900 lm	Narrow beam	104.2 lm/W
ECF6040M/DSAN8/DG(W)	61.5W	6500K	70	8000 lm	Medium beam	130.0 lm/W
ECF6040M/NSAN8/DG(W)	61.5W	5000K	70	8500 lm	Medium beam	138.2 lm/W
ECF6040M/WSAN8/DG(W)	61.5W	4000K	80	7500 lm	Medium beam	121.9 lm/W
ECF6040M/LSAN8/DG(W)	61.5W	2700K	80	6800 lm	Medium beam	110.5 lm/W
ECF6040M/NHSAN8/DG(W)	61.5W	2100K	65	7300 lm	Medium beam	118.6 lm/W
ECF6040W/DSAN8/DG(W)	61.5W	6500K	70	7800 lm	Wide beam	126.8 lm/W
ECF6040W/NSAN8/DG(W)	61.5W	5000K	70	8300 lm	Wide beam	134.9 lm/W
ECF6040W/WSAN8/DG(W)	61.5W	4000K	80	7300 lm	Wide beam	118.6 lm/W
ECF6040W/LSAN8/DG(W)	61.5W	2700K	80	6700 lm	Wide beam	108.9 lm/W
ECF6040W/NHSAN8/DG(W)	61.5W	2100K	65	7100 lm	Wide beam	115.4 lm/W
ECF6040SW/DSAN8/DG(W)	61.5W	6500K	70	8400 lm	Super Wide beam	136.5 lm/W
ECF6040SW/NSAN8/DG(W)	61.5W	5000K	70	9200 lm	Super Wide beam	149.5 lm/W
ECF6040SW/WSAN8/DG(W)	61.5W	4000K	80	8000 lm	Super Wide beam	130.0 lm/W
ECF6040SW/LSAN8/DG(W)	61.5W	2700K	80	7100 lm	Super Wide beam	115.4 lm/W
ECF6040SW/NHSAN8/DG(W)	61.5W	2100K	65	5900 lm	Super Wide beam	95.9 lm/W

## Specifications

- Operation Temperature Range : -20~+35°C
- IP Code : IP65

## Optical

- Beam Angle : Narrow/ Medium/ Wide/ Super Wide beam
- 1/10 Beam Angle : 30° / 58° / 102° × 110° / 140° × 132°
- Color Rendering Index : 70 or 80 or 65
- Rated Luminous Flux : 5600 - 9200 lm
- Luminous Efficacy : 97. - 149.5 lm/W
- Lumen Maintenance (L80) : 60,000 hours at 35°C

## Electrical

- Built-in Power Supply
- Input Voltage : 100/200-242V
- Line Frequency : 50/60Hz
- Power Consumption : 56.6W or 61.5W

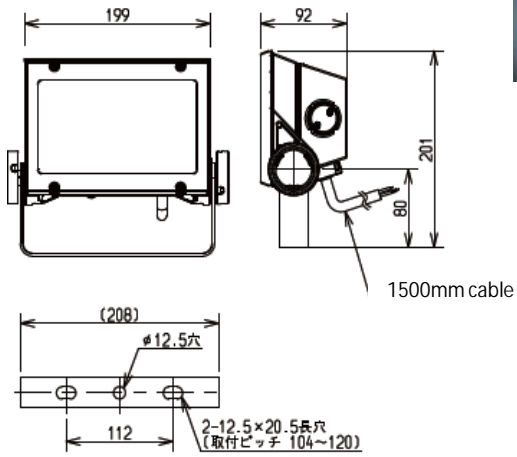
## Mechanical

- Body(except front frame) : Die casting aluminum
- Front Cover : Tempered glass
- Finish Color : Dark grey or White

\*SMD LED for Super Wide

## Physical

- Dimension : W199×H201×D92mm
- Weight : 2.7kg



## Lighting Image

