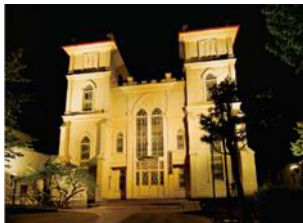


LED Flood Light

LEDioc Floodlight Class 40

ECF4040N/D(N,W,L,NH)SAN8/DG(W)
 ECF4040M/D(N,W,L,NH)SAN8/DG(W)
 ECF4040W/D(N,W,L,NH)SAN8/DG(W)
 ECF4040SW/D(N,W,L,NH)SAN8/DG(W)



Example of Construction (Image)

- Capable of delivering brightness higher than 70W metal halide lamp (5000K/Ra70 type)
- Proprietary light distribution control technology allows for four types of luminous intensity distribution: narrow, medium, wide and super wide beam
- Lineup : 6500K, 5000K, 4000K, 2700K, 2100K
- Ra80 high color rendering vividly illuminates objects
- The 5000K type also includes a highly efficient 144lm/W (5000K/super wide)
- Any position structure allows for various mounting directions and installation
- Quickly reaches full brightness
- Long life : 60,000 hours
- Utilizes highly efficient/high-powered COB-type LED package*

This light source, offering top-class energy saving performance has been achieved through a new optical design utilizing both a lens and a mirror, and also through highly efficient usage of electric power. With COB (Chip on board) type lighting, large numbers Of LED devices are mounted directly onto substrate. As light is therefore emitted from a single uniform surface, a natural lighting environment of even brightness close to that created by surface emission can be achieved.



Product Series

Model Number	Power Consumption	CCT	CRI	Luminous Flux	Beam Angle	Luminous Efficacy
ECF4040N/DSAN8/DG(W)	41.7W	6500K	70	4500 lm	Narrow beam	107.9 lm/W
ECF4040N/NSAN8/DG(W)	41.7W	5000K	70	4800 lm	Narrow beam	115.1 lm/W
ECF4040N/WSAN8/DG(W)	41.7W	4000K	80	4200 lm	Narrow beam	100.7 lm/W
ECF4040N/LSAN8/DG(W)	41.7W	2700K	80	3800 lm	Narrow beam	91.1 lm/W
ECF4040N/NHSAN8/DG(W)	41.7W	2100K	65	4200 lm	Narrow beam	100.7 lm/W
ECF4040M/DSAN8/DG(W)	44.4W	6500K	70	5700 lm	Medium beam	128.3 lm/W
ECF4040M/NSAN8/DG(W)	44.4W	5000K	70	6000 lm	Medium beam	135.1 lm/W
ECF4040M/WSAN8/DG(W)	44.4W	4000K	80	5300 lm	Medium beam	119.3 lm/W
ECF4040M/LSAN8/DG(W)	44.4W	2700K	80	4800 lm	Medium beam	108.1 lm/W
ECF4040M/NHSAN8/DG(W)	44.4W	2100K	65	5100 lm	Medium beam	114.8 lm/W
ECF4040W/DSAN8/DG(W)	44.4W	6500K	70	5600 lm	Wide beam	126.1 lm/W
ECF4040W/NSAN8/DG(W)	44.4W	5000K	70	5900 lm	Wide beam	132.8 lm/W
ECF4040W/WSAN8/DG(W)	44.4W	4000K	80	5200 lm	Wide beam	117.1 lm/W
ECF4040W/LSAN8/DG(W)	44.4W	2700K	80	4700 lm	Wide beam	105.8 lm/W
ECF4040W/NHSAN8/DG(W)	44.4W	2100K	65	5000 lm	Wide beam	112.6 lm/W
ECF4040SW/DSAN8/DG(W)	44.4W	6500K	70	5700 lm	Super Wide beam	128.3 lm/W
ECF4040SW/NSAN8/DG(W)	44.4W	5000K	70	6400 lm	Super Wide beam	144.1 lm/W
ECF4040SW/WSAN8/DG(W)	44.4W	4000K	80	5400 lm	Super Wide beam	121.6 lm/W
ECF4040SW/LSAN8/DG(W)	44.4W	2700K	80	4900 lm	Super Wide beam	110.3 lm/W
ECF4040SW/NHSAN8/DG(W)	44.4W	2100K	65	4000 lm	Super Wide beam	90.0 lm/W

Specifications

- Operation Temperature Range : -20~+35°C
- IP Code : IP65

Optical

- Beam Angle : Narrow/ Medium/ Wide/ Super Wide beam
- 1/10 Beam Angle : 30° / 58° / 102° × 110° / 138° × 136°
- Color Rendering Index : 70 or 80 or 65
- Rated Luminous Flux : 4000 - 6400 lm
- Luminous Efficacy : 90.0 - 144.1 lm/W
- Lumen Maintenance (L80) : 60,000 hours at 35°C

Electrical

- Built-in Power Supply
- Input Voltage : 100/200-242V
- Line Frequency : 50/60Hz
- Power Consumption : 41.7W or 44.4W

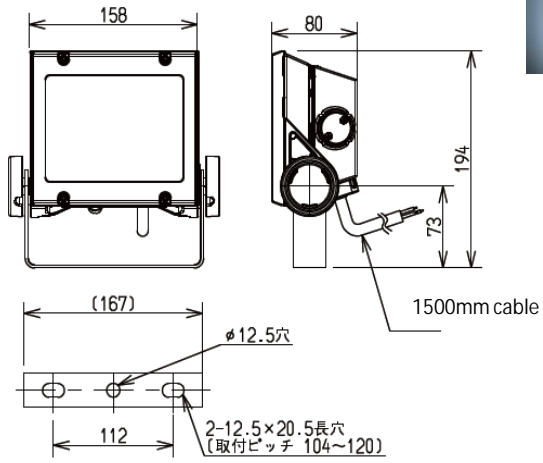
Mechanical

- Body(except front frame) : Die casting aluminum
- Front Cover : Tempered glass
- Finish Color : Dark grey or White

*SMD LED for Super Wide

Physical

- Dimension : W158×H194×D80mm
- Weight : 2.0kg



Lighting Image

