

LED Flood Light
LEDioc Floodlight **Class 180**
ECF1892N/SAN8/DG
ECF1891N/SAN8/W



Dark gray

White



Example of Construction (Image)

- Capable of delivering brightness higher than 700W mercury lamp
- Available in wide beam and 5000K CCT
- Any position structure allows for various mounting directions and installation
- Quickly reaches full brightness
- Long life : 60,000 hours
- Utilizes highly efficient/high-powered COB-type LED package

This light source, offering top-class energy saving performance has been achieved through a new optical design utilizing both a lens and a mirror, and also through highly efficient usage of electric power. With COB (Chip on board) type lighting, large numbers Of LED devices are mounted directly onto substrate. As light is therefore emitted from a single uniform surface, a natural lighting environment of even brightness close to that created by surface emission can be achieved.



Product Series

Model Number	Power Consumption	CCT	CRI	Luminous Flux	Beam Angle	Luminous Efficacy
ECF1892D/SAN8/DG(W)	181W	5000K	70	26700 lm	Wide beam	147.5 lm/W

Specifications

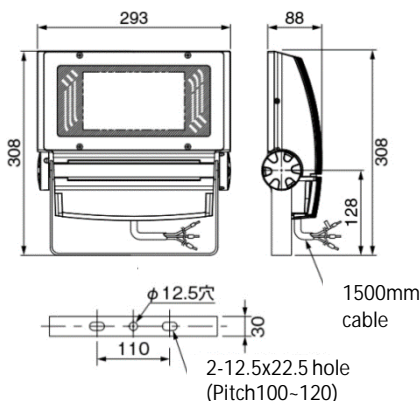
- Operation Temperature Range : -20~+35°C
- IP Code : IP65

Optical

- Beam Angle : Wide
- 1/10 Beam Angle : 106° × 110°
- Color Rendering Index : 70
- Rated Luminous Flux : 26700 lm
- Luminous Efficacy : 147.5 lm/W
- Lumen Maintenance (L80) : 60,000 hours at 35°C

Physical

- Dimension : W293×H308×D88mm
- Weight : 5.9kg



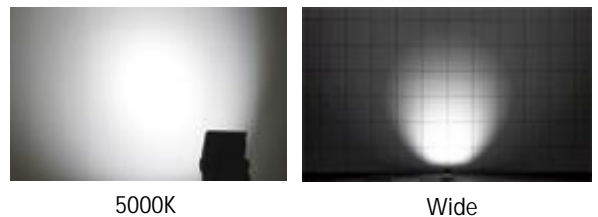
Electrical

- Built-in Power Supply
- Input Voltage : 200-242V
- Line Frequency : 50/60Hz
- Power Consumption : 181W

Mechanical

- Body(except front frame) : Die casting aluminum
- Front Cover : Tempered glass
- Finish Color : Dark grey or White

Lighting Image



IP65