

## LED Flood Light

## LEDioc Floodlight Class 150

ECF1592D(N,W,L,NH)/SAN8/DG(W)

ECF1591D(N,W,L,NH)/SAN8/DG(W)



Dark gray

White



Example of Construction (Image)

- Capable of delivering brightness higher than 400W mercury lamp (5000K/Ra70 type)
- Proprietary light distribution control technology allows for two types of luminous intensity distribution: wide and super wide beam
- Lineup : 6500K, 5000K, 4000K, 2700K, 2100K
- Ra80 high color rendering vividly illuminates objects
- The 5000K type also includes a highly efficient 135lm/W (6500K/wide)
- Any position structure allows for various mounting directions and installation
- Quickly reaches full brightness
- Long life : 60,000 hours
- Utilizes highly efficient/high-powered COB-type LED package

This light source, offering top-class energy saving performance has been achieved through a new optical design utilizing both a lens and a mirror, and also through highly efficient usage of electric power. With COB (Chip on board) type lighting, large numbers of LED devices are mounted directly onto substrate. As light is therefore emitted from a single uniform surface, a natural lighting environment of even brightness close to that created by surface emission can be achieved.



## Product Series

Model Number	Power Consumption	CCT	CRI	Luminous Flux	Beam Angle	Luminous Efficacy
ECF1592D/SAN8/DG(W)	154W	6500K	70	20900 lm	Wide beam	135.7 lm/W
ECF1592N/SAN8/DG(W)	154W	5000K	70	20800 lm	Wide beam	135.0 lm/W
ECF1592W/SAN8/DG(W)	154W	4000K	80	18700 lm	Wide beam	121.4 lm/W
ECF1592L/SAN8/DG(W)	154W	2700K	80	18300 lm	Wide beam	118.8 lm/W
ECF1592NH/SAN8/DG(W)	154W	2100K	65	17600 lm	Wide beam	114.2 lm/W
ECF1591D/SAN8/DG(W)	154W	6500K	70	20500 lm	Super wide beam	133.1 lm/W
ECF1591N/SAN8/DG(W)	154W	5000K	70	20400 lm	Super wide beam	132.4 lm/W
ECF1591W/SAN8/DG(W)	154W	4000K	80	18300 lm	Super wide beam	118.8 lm/W
ECF1591L/SAN8/DG(W)	154W	2700K	80	17900 lm	Super wide beam	116.2 lm/W
ECF1591NH/SAN8/DG(W)	154W	2100K	65	17200 lm	Super wide beam	111.6 lm/W

## Specifications

- Operation Temperature Range : -20~+35°C
- IP Code : IP65

## Optical

- Beam Angle : Wide/ Super Wide beam
- 1/10 Beam Angle : 106° × 110° / 150° × 140°
- Color Rendering Index : 70 or 80 or 65
- Rated Luminous Flux : 17200 - 20900 lm
- Luminous Efficacy : 111.6 – 135.7 lm/W
- Lumen Maintenance (L80) : 60,000 hours at 35°C

## Electrical

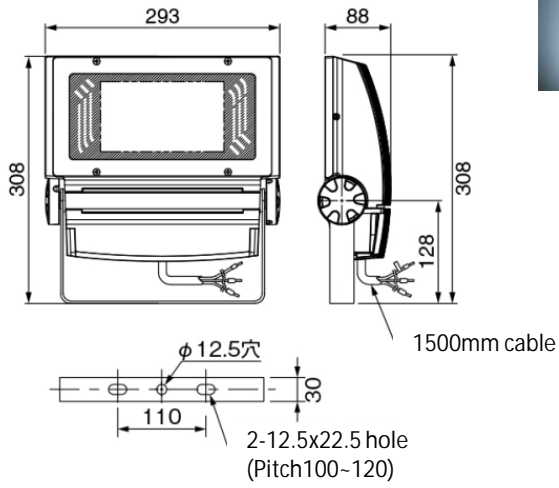
- Built-in Power Supply
- Input Voltage : 200-242V
- Line Frequency : 50/60Hz
- Power Consumption : 154W

## Mechanical

- Body(except front frame) : Die casting aluminum
- Front Cover : Tempered glass
- Finish Color : Dark grey or White

## Physical

- Dimension : W293×H308×D88mm
- Weight : 5.9kg



## Lighting Image

