



Soft Beam – Frosted Cover Glass

MR16 Super Soft

EYE DICHRO-COOL Halogen



Soft diffused light that eliminates glare

- Eliminates dark spots and irregular beam patterns
- Soft halogen white light
- High colour rendering
- Dimmable

Consistency in colour and halogen brightness

EYE MR16 Super Soft lamps bathe your display in uniform light for maximum effect. The soft frosted cover glass provides protection for the lamp and reduced UV output.

The dichroic Dichro-Cool reflector coating

directs the heat through the back of the lamp while a focused beam of quality white light is directed to the display, protecting heat sensitive objects.

Long life ... up to 5000 hours.

APPLICATIONS

- Displays
- Museums
- Retail stores
- Restaurants
- Homes
- Lounges
- Offices



MR16 Super Soft



Regular MR16

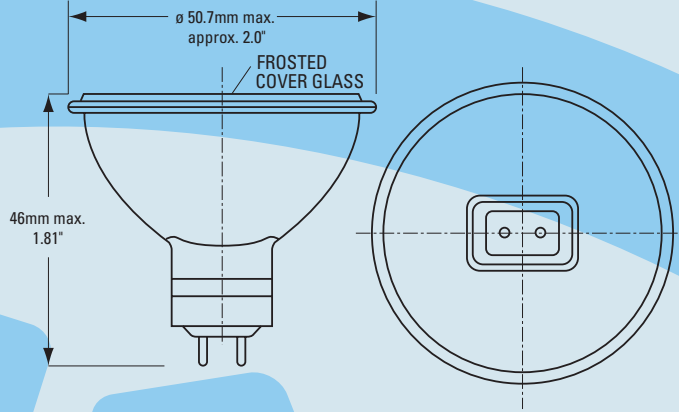




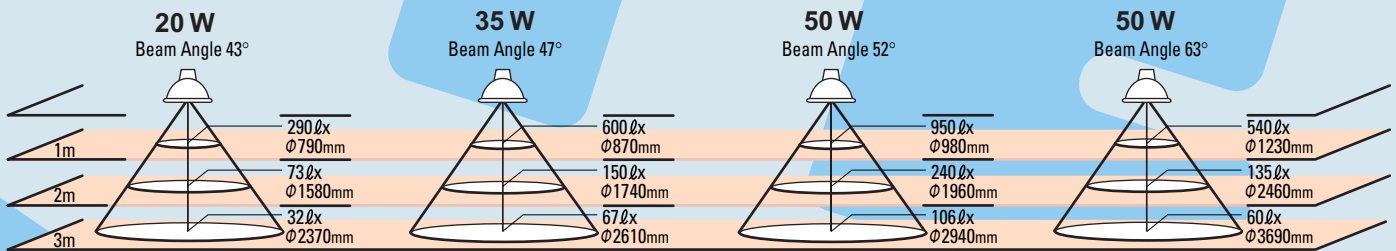
Soft Beam – Frosted Cover Glass

MR16 Super Soft

EYE DICHRO-COOL
Halogen



Watts (W)	Volts (V)	Base	Product Description	Product Comparison Guide	Case Qty.	Ctr. Beam Intensity (cd)	Beam Angle (°)	Average Life Hours	Colour Temp. (K)	Filament
Frosted Cover Glass										
20	12	GU5.3	JR1253F	20MR16FCG/43°	12	290	43	4000	2950	C-6
35	12	GU5.3	JR1353F	35MR16FCG/47°	12	600	47	5000	3000	C-6
50	12	GU5.3	JR1554F	50MR16FCG/52°	12	950	52	5000	3050	C-6
50	12	GU5.3	JR1566F	50MR16FCG/63°	12	540	63	5000	3050	C-6



- Burning Position : Any.
- All information subject to change without notice.



Iwasaki Electric Co., Ltd.

12-4, Shiba 3-chome, Minato-ku, Tokyo 105-0014, Japan

Tel: +81-3-3454-1841 Fax: +81-3-3454-1974 E-mail: iwasaki-ibd@eye.co.jp

www.eye.co.jp