



Light for the Long Run – 10,000 Hour

MR16

EYE DICHO-COOL Halogen



Longer life means lower maintenance costs and fewer disruptions in high traffic areas or installations in high ceilings. EYE MR16 10,000 Hour Life lamp provides a life nearly equal to some HID products.

Available with UV-Cut lens to reduce fading of displayed objects.

The precise optical design delivers light exactly where it is directed.

The Dichroic Dichro-Cool coating directs the heat through the back of the lamp while a focused beam of high quality white light is directed to the display, protecting heat-sensitive objects.

Consistency in colour and halogen brightness means the MR16 10,000 Hour Life lamp bathes your display in uniform light for maximum effect. The cover glass provides protection for the lamp and reduces UV output.

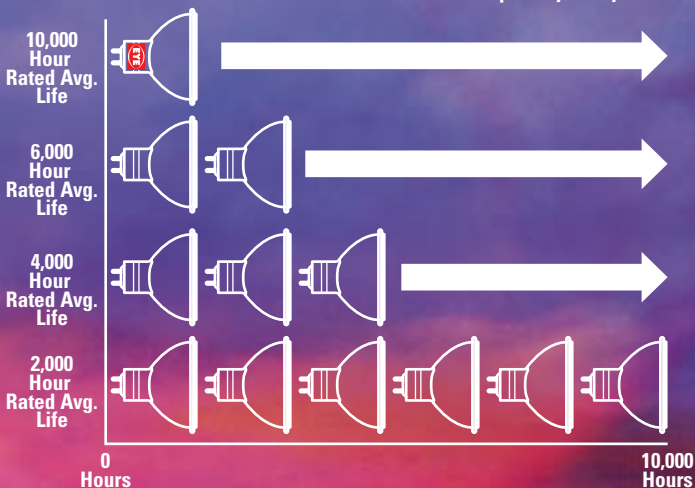
APPLICATIONS

- Display cases
- Museums
- Retail stores
- Restaurants
- Homes
- Lounges
- Offices
- Landscape lighting



Number of times you'll need to replace the lamp over a three year period (approximately 10,000 hours).

Years of life are based on a burn time of 10 hours per day, 7 days a week.

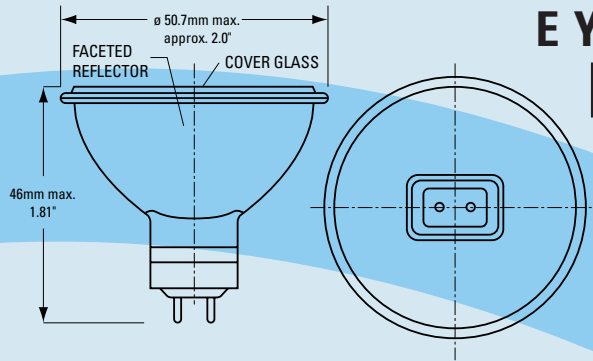




Light for the
Long Run – 10,000 Hour

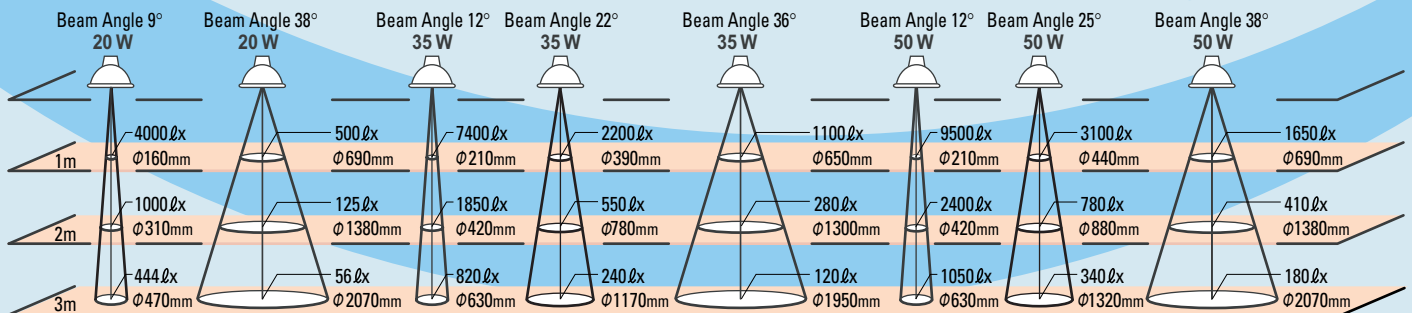
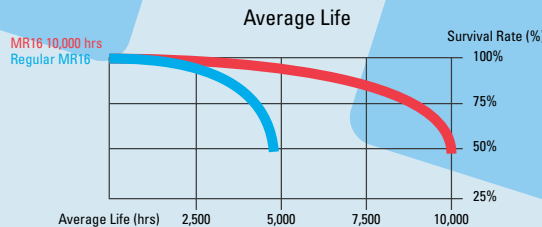
MR16

EYE DICHR0-COOL Halogen



Watts (W)	Volts (V)	Base	Product Description	Product Comparison Guide	Case Qty.	Ctr. Beam Intensity (cd)	Beam Angle (°)	Average Life Hours	Colour Temp. (K)	Filament
Cover Glass										
20	12	GU5.3	JR8251	20MR16CG/9°/10000H/ESX	12	4000	9	10000	2950	C-6
20	12	GU5.3	JR8253	20MR16CG/38°/10000H/BAB	12	500	38	10000	2950	C-6
35	12	GU5.3	JR8351	35MR16CG/12°/10000H/FRB	12	7400	12	10000	3050	C-6
35	12	GU5.3	JR8352	35MR16CG/22°/10000H/FRA	12	2200	22	10000	3050	C-6
35	12	GU5.3	JR8353	35MR16CG/36°/10000H/FMW	12	1100	36	10000	3050	C-6
50	12	GU5.3	JR8551	50MR16CG/12°/10000H/EXT	12	9500	12	10000	3050	C-6
50	12	GU5.3	JR8552	50MR16CG/25°/10000H/EXZ	12	3100	25	10000	3050	C-6
50	12	GU5.3	JR8553	50MR16CG/38°/10000H/EXN	12	1650	38	10000	3050	C-6
UV-Cut Cover Glass										
20	12	GU5.3	JR8231	20MR16CG/UVC/9°/10000H/ESX	12	4000	9	10000	2950	C-6
20	12	GU5.3	JR8233	20MR16CG/UVC/38°/10000H/BAB	12	500	38	10000	2950	C-6
35	12	GU5.3	JR8331	35MR16CG/UVC/12°/10000H/FRB	12	7400	12	10000	3050	C-6
35	12	GU5.3	JR8333	35MR16CG/UVC/36°/10000H/FMW	12	1100	36	10000	3050	C-6
50	12	GU5.3	JR8531	50MR16CG/UVC/12°/10000H/EXT	12	9500	12	10000	3050	C-6
50	12	GU5.3	JR8533	50MR16CG/UVC/38°/10000H/EXN	12	1650	38	10000	3050	C-6

• Burning Position: Any.



Iwasaki Electric Co., Ltd.

12-4, Shiba 3-chome, Minato-ku, Tokyo 105-0014, Japan

Tel: +81-3-3454-1841 Fax: +81-3-3454-1974 E-mail: iwasaki-ibd@eye.co.jp www.eye.co.jp