



**EYE LIGHTING LED**   
**PRODUCT CATALOGUE**

OUTDOOR · INDOOR · INDUSTRIAL · COMMERCIAL

SURIA/SL  
**EY623**

LED STREET LIGHT



**CE**  
Main Road

**\*\*Phase out  
by Sept 2023  
while stock last**



**EY623-30W • 60W**

**EY623-80W • 100W • 120W**

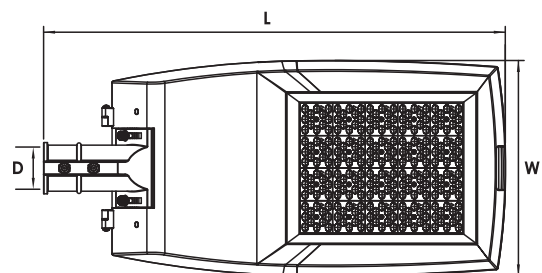
**EY623-150W • 165W**

**PRODUCT FEATURES**

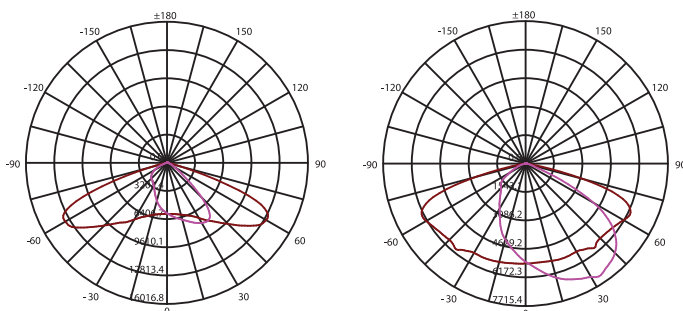
- The high lumen output LED array, provides even lighting from high mounting height
- Tool-less access to lamp compartment for easy maintenance
- ADC 12 high-pressure die cast aluminum body construction for strength and durability
- The IP66 rated sealed fixtures protect it from ingress of water and dust in a harsh outdoor environment
- High efficiency with trusted and reliable LED component

**PRODUCT DIMENSION**

\*Typical dimension in mm



**PHOTOMETRY/BEAM ANGLE**



**Type II**

**Type III**

**MOUNTING TYPE**

- Post Top
- Side Entry
- Interchangeable spigot mounting position.
- Allowable tilt 0° to +15° with 5° tilt.

# TECHNICAL DATA



IP66

IK08

TOOL-LESS

LED STREET LIGHT

MODEL NO.	EY623-30W	EY623-60W	EY623-80W	EY623-100W	EY623-120W	EY623-150W	EY623-165W
Power Consumption ±5% (W)	30W	60W	80W	100W	120W	150W	165W
Luminaire Flux ±5% (lm)	4,050 lm	8,100 lm	10,800 lm	14,000 lm	16,200 lm	20,250 lm	22,275 lm
System Efficacy ±5% (lm/W)	135 lm/W	135 lm/W	135 lm/W	140 lm/W	135 lm/W	135 lm/W	135 lm/W
Power Factor (PF)	0.95	0.95	0.95	0.95	0.95	0.95	0.95
HID Equivalent	70W	150W	250W	250W	250W	400W	400W
Net Weight (kg)	3.86	3.92	6.20	6.40	6.40	8.28	8.28
Gross Weight (kg)	4.44	4.50	7.02	7.28	7.28	9.30	9.30
Spigot Mounting Hole, D (mm)	50	50	60	60	60	60	60
Product Dimension, L x W x H (mm)	527 x 231 x 135	527 x 231 x 135	636 x 292 x 142	636 x 292 x 142	636 x 292 x 142	711 x 332 x 168	711 x 332 x 168
Carton Dimension, L x W x H (mm)	575 x 280 x 175	575 x 280 x 175	680 x 345 x 200	680 x 345 x 200	680 x 345 x 200	765 x 385 x 215	765 x 385 x 215
CBM (m <sup>3</sup> )	0.028	0.028	0.047	0.047	0.047	0.063	0.063

Note: The above specified lumen and system efficiency based on standard CCT: 6000K, CRI: RA70

## TECHNICAL SPECIFICATION

### ELECTRICAL SYSTEM

- **Input Voltage** : 100 - 240Vac, 50/60Hz
- **Insulation Class** : Class I
- **LED Driver** : SOSEN IP67
- **Additional Surge Protection Devices** : SS SPD for 30W and 60W  
SP01 (10kA) for ≥ 80W

### LIGHT SOURCE / OPTIC

- **LED Type** : SMD 3030 with TM21 and LM80
- **Color Temperature (CCT)** : Standard 6000K  
(3000K, 4000K & others upon request)
- **Color Rendering Index (CRI)** : Ra > 70  
(Ra > 80, 90 upon request)
- **Life Time Residual Flux** : (L70), >50,000 hours @ Ta: 40°C
- **Optical System** : PC Lens with Tempered Glass Cover
- **Working Temperature** : Ta : -30°C to +50°C

### FIXTURE/HOUSING

- **Ingress Protection (IP)** : IP66
- **Impact Resistance (IK)** : IK08
- **Housing Material** : ADC 12 Die Cast Aluminium
- **Housing Finish** : Akzo Nobel Epoxy  
Powder Coating - Black

### COMPLIANCE

- **Type Test Compliance (Luminaire)** : EN 60598-1, EN 60598-2-3  
EN 62493, IEC/TR 62778
- **EMC Compliance** : EN 61000-3-2, EN61000-3-3  
EN 55015, EN 61547
- **LED Compliances Test** : IESNA LM-80  
TM-21
- **Ingress Protection Test** : IEC 60529 (IP66)
- **Impact Resistance Test** : IEC 62262 (IK08)
- **RoHS** : IEC 62321

### APPLICATION

- Road & Highway • Urban Road & Streets • Residential Streets
- Car Parks • Parks • Riverside • Jogging Track

### OPTIONAL FEATURES/ACCESSORIES

- NEMA Photocell / Shorting Cap
- IoT Smart System (NEMA / Zhaga)

# OUTDOOR LED LIGHTING

SURIA/SL

EY628- P & E

LED STREET LIGHT

EYELITE



Public Roadway, Kedah, Malaysia



REMOVABLE GEAR TRAY

EY628- 30W • 50W • 60W • 70W • 75W

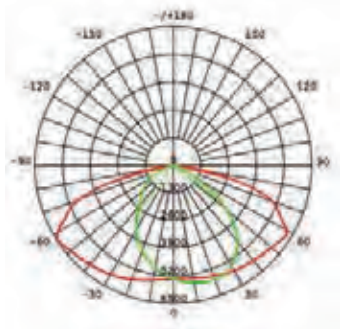
EY628- 80W • 90W • 100W • 120W • 130W

EY628- 120W • 135W • 150W • 170W • 180W

## PRODUCT FEATURES

- The high lumen output LED array, provides even lighting distribution.
- Streamline & smooth surface lamp housing, prevent dust & dirt deposition on top.
- Tool-less access to gear compartment for easy maintenance.
- ADC 12 high pressure die-cast aluminium body construction for strength and durability.
- The IP66 rated sealed fixtures protect it from ingress of water and dust in harsh outdoor environment.
- High efficiency with trusted and reliable LED components.

## PHOTOMETRY/BEAM ANGLE



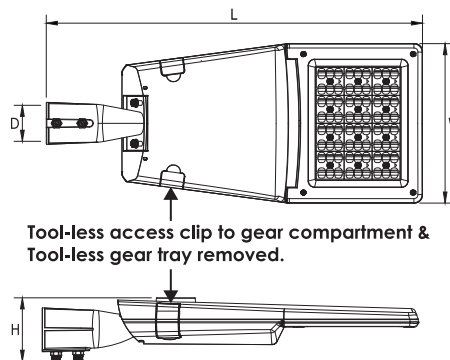
Type II

\*Type I & other beam available upon request.

Note : Above content subject to change without prior notice

## PRODUCT DIMENSION

\*Typical dimension in mm



Tool-less access clip to gear compartment & Tool-less gear tray removed.

## MOUNTING TYPE

Post Top



Side Entry



- Interchangeable spigot mounting position.
- Allowable tilt 0° to +15° with 5° tilt.

MODEL NO.	EY628-30W-P		EY628-50W-P		EY628-60W-P		EY628-70W-P		EY628-75W-P	
Power Consumption ±5% (W)	30W		50W		60W		70W		75W	
	at 6000K	at 3000K	at 6000K	at 3000K	at 6000K	at 3000K	at 6000K	at 3000K	at 6000K	at 3000K
Luminaire Flux ±5% (lm)	4,933	4,676	7,059	7,457	9,493	9,000	10,878	10,298	11,529	10,919
System Efficacy ±5% (lm/W)	153	145	150	142	151	143	150	142	151	143
Power Factor (PF)	0.99		0.98		0.98		0.98		0.98	
LED Quantity	18		36		36		36		36	
Spigot Mounting Hole, D (mm)	50/60*		50/60*		50/60*		50/60*		50/60*	
Net Weight (kg)	3.45		3.52		3.61		3.61		3.61	
Gross Weight (kg)	4.05		4.12		4.21		4.21		4.21	
Product Dimension, L x W x H (mm)	569 x 230 x 108									
Carton Dimension, L x W x H (mm)	610 x 283 x 175									
CBM (m <sup>3</sup> )	0.030									

MODEL NO.	EY628-80W-P		EY628-90W-P		EY628-100W-P		EY628-120W-P		EY628-130W-P	
Power Consumption ±5% (W)	80W		90W		100W		120W		130W	
	at 6000K	at 3000K	at 6000K	at 3000K	at 6000K	at 3000K	at 6000K	at 3000K	at 6000K	at 3000K
Luminaire Flux ±5% (lm)	12,690	12,031	13,770	13,050	16,557	15,719	19,080	18,120	20,540	19,500
System Efficacy ±5% (lm/W)	154	146	153	145	158	154	159	151	158	150
Power Factor (PF)	0.97		0.98		0.96		0.98		0.98	
LED Quantity	48		48		72		72		72	
Spigot Mounting Hole, D (mm)	60		60		60		60		60	
Net Weight (kg)	5.40		5.40		5.47		5.67		5.67	
Gross Weight (kg)	6.25		6.25		6.32		6.52		6.52	
Product Dimension, L x W x H (mm)	679 x 288 x 111									
Carton Dimension, L x W x H (mm)	730 x 335 x 175									
CBM (m <sup>3</sup> )	0.043									

MODEL NO.	EY628-120WL-P		EY628-135W-P		EY628-150W-P		EY628-170W-P		EY628-180W-P	
Power Consumption ±5% (W)	120W		135W		150W		170W		180W	
	at 6000K	at 3000K	at 6000K	at 3000K	at 6000K	at 3000K	at 6000K	at 3000K	at 6000K	at 3000K
Luminaire Flux ±5% (lm)	20,706	19,678	21,330	20,250	25,328	24,108	25,500	24,140	26,922	25,467
System Efficacy ±5% (lm/W)	161	160	158	150	166	158	150	142	148	140
Power Factor (PF)	0.98		0.98		0.98		0.98		0.98	
LED Quantity	96		96		96		96		96	
Spigot Mounting Hole, D (mm)	60		60		60		60		60	
Net Weight (kg)	7.53		7.53		7.53		7.68		7.68	
Gross Weight (kg)	8.54		8.54		8.54		8.78		8.78	
Product Dimension, L x W x H (mm)	752 x 308 x 113									
Carton Dimension, L x W x H (mm)	795 x 356 x 175									
CBM (m <sup>3</sup> )	0.050									

Note 1: The above specified lumen and system efficiency are based on standard CCT: 6000K & 3000K, CRI: RA70

Note 2: \* Spigot size available for selection, and only one default size stock available for certain ASEAN region, check with other local reseller

MODEL NO.	EY628-30W-E		EY628-50W-E		EY628-60W-E		EY628-70W-E		EY628-75W-E	
Power Consumption ±5% (W)	30W		50W		60W		70W		75W	
	at 6000K	at 3000K	at 6000K	at 3000K	at 6000K	at 3000K	at 6000K	at 3000K	at 6000K	at 3000K
Luminaire Flux ±5% (lm)	3,810	3,570	6,500	6,100	7,800	7,320	8,960	8,400	9,600	9,000
System Efficacy ±5% (lm/W)	127	119	130	122	130	122	128	120	128	120
Power Factor (PF)	0.91		0.96		0.96		0.96		0.96	
LED Quantity	36		72		72		72		72	
Spigot Mounting Hole, D (mm)	50/60*		50/60*		50/60*		50/60*		50/60*	
Net Weight (kg)	3.25		3.32		3.41		3.41		3.41	
Gross Weight (kg)	3.95		3.98		4.01		4.01		4.01	
Product Dimension, L x W x H (mm)	569 x 230 x 108									
Carton Dimension, L x W x H (mm)	610 x 283 x 175									
CBM (m <sup>3</sup> )	0.030									

MODEL NO.	EY628-80W-E		EY628-90W-E		EY628-100W-E		EY628-120W-E		EY628-130W-E	
Power Consumption ±5% (W)	80W		90W		100W		120W		130W	
	at 6000K	at 3000K	at 6000K	at 3000K	at 6000K	at 3000K	at 6000K	at 3000K	at 6000K	at 3000K
Luminaire Flux ±5% (lm)	10,640	10,000	11,790	11,070	13,600	12,800	14,926	13,948	15,860	14,820
System Efficacy ±5% (lm/W)	133	125	131	123	136	128	122	114	122	114
Power Factor (PF)	0.96		0.96		0.97		0.96		0.96	
LED Quantity	96		96		144		144		144	
Spigot Mounting Hole, D (mm)	60		60		60		60		60	
Net Weight (kg)	5.20		5.20		5.27		5.47		5.47	
Gross Weight (kg)	6.05		6.05		6.12		6.32		6.32	
Product Dimension, L x W x H (mm)	679 x 288 x 111									
Carton Dimension, L x W x H (mm)	730 x 335 x 175									
CBM (m <sup>3</sup> )	0.043									

MODEL NO.	EY628-120WL-E		EY628-135W-E		EY628-150W-E		EY628-170W-E		EY628-180W-E	
Power Consumption ±5% (W)	120W		135W		150W		170W		180W	
	at 6000K	at 3000K	at 6000K	at 3000K	at 6000K	at 3000K	at 6000K	at 3000K	at 6000K	at 3000K
Luminaire Flux ±5% (lm)	16,606	15,630	17,280	16,200	19,667	18,438	20,910	19,550	22,827	21,343
System Efficacy ±5% (lm/W)	136	128	128	120	128	120	123	115	123	115
Power Factor (PF)	0.96		0.96		0.97		0.96		0.96	
LED Quantity	192		192		192		192		192	
Spigot Mounting Hole, D (mm)	60		60		60		60		60	
Net Weight (kg)	7.33		7.33		7.33		7.48		7.48	
Gross Weight (kg)	8.34		8.34		8.34		8.58		8.58	
Product Dimension, L x W x H (mm)	752 x 308 x 113									
Carton Dimension, L x W x H (mm)	795 x 356 x 175									
CBM (m <sup>3</sup> )	0.050									

Note: The above specified lumen and system efficiency are based on standard CCT: 6000K & 3000K, CRI:RA70  
 Note 2: \* Spigot size available for selection, and only one default size stock available for certain ASEAN region

## TECHNICAL SPECIFICATION

### PREMIUM VERSION **P**

#### ELECTRICAL SYSTEM

- **Input Voltage** : 100 - 240Vac, 50/60Hz
- **Insulation Class** : Class I
- **LED Driver** : **Inventronic EUM IP67**
- **3in1 (Dimmable)** : MOSO X6 IP67 (Alternative)
- **Surge Protection** : I<sub>max</sub> 20 kA (40kV) (Built-in)

#### LIGHT SOURCE / OPTIC

- **LED Type** : **SMD 5050** with TM21 and LM80
- **Color Temperature (CCT)** : Standard 3000K/6000K (others upon request)
- **Color Rendering Index (CRI)** : Ra > 70 (Other upon request)
- **Life Time Residual Flux** : (L80), >50,000 hours @ Ta : 45°
- **Optical System** : PC Lens with Tempered Glass Cover
- **Working Temperature** : Ta : -30°C to +45°C

#### FIXTURE/HOUSING

- **Ingress Protection (IP)** : IP66
- **Impact Resistance (IK)** : IK09
- **Housing Material** : ADC 12 Die-Cast Aluminium
- **Housing Finish** : Akzo Nobel Powder Coating - RAL 7005 Grey

#### COMPLIANCE

- **Type Test Certified (Luminaire)** : IEC 60598-1, IEC 60598-2-3
- **EMC Certified** : EN 55015, EN 61547
- **LED Compliances Test** : IESNA LM-79, LM-80 & TM-21
- **Luminaire Performance** : IEC 62722-1, IEC 62722-2-1
- **SIRIM PCS** : PC004404 (Malaysia Only)
- **SIJIL EMAL (JKR)** : *Pending (Malaysia)*
- **Ingress Protection Test** : IEC 60529 (IP66)
- **Impact Resistance Test** : IEC 62262 (IK09)
- **RoHS** : IEC 62321

#### OPTIONAL FEATURES/ACCESSORIES

- NEMA Photocell / Shorting Cap
- IoT Smart System (NEMA / Zhaga)

#### APPLICATION

- Road & Highway • Urban Road & Streets • Residential Streets
- Car Parks • Parks • Riverside • Jogging Track

### ECONOMIC VERSION **E**

#### ELECTRICAL SYSTEM

- **Input Voltage** : 100 - 240Vac, 50/60Hz
- **Insulation Class** : Class I
- **LED Driver** : **DONE MXG IP67**
- **3in1 (Dimmable)** : MOSO X6 IP67 (Alternative)
- **Surge Protection** : I<sub>max</sub> 20 kA (40kV) (Built-in)

#### LIGHT SOURCE / OPTIC

- **LED Type** : **SMD 3030** with TM21 and LM80
- **Color Temperature (CCT)** : Standard 3000K/6000K (others upon request)
- **Color Rendering Index (CRI)** : Ra > 70 (Other upon request)
- **Life Time Residual Flux** : (L80), >50,000 hours @ Ta : 45°
- **Optical System** : PC Lens with Tempered Glass Cover
- **Working Temperature** : Ta : -30°C to +45°C

#### FIXTURE/HOUSING

- **Ingress Protection (IP)** : IP66
- **Impact Resistance (IK)** : IK09
- **Housing Material** : ADC 12 Die-Cast Aluminium
- **Housing Finish** : Akzo Nobel Powder Coating - RAL 7005 Grey

#### COMPLIANCE

- **Type Test Certified (Luminaire)** : IEC 60598-1, IEC 60598-2-3
- **EMC Certified** : EN 55015, EN 61547
- **LED Compliances Test** : IESNA LM-79, LM-80 & TM-21
- **Luminaire Performance** : IEC 62722-1, IEC 62722-2-1
- **SIRIM PCS** : PC004404 (Malaysia Only)
- **SIJIL EMAL (JKR)** : *Pending (Malaysia)*
- **Ingress Protection Test** : IEC 60529 (IP66)
- **Impact Resistance Test** : IEC 62262 (IK09)
- **RoHS** : IEC 62321

#### OPTIONAL FEATURES/ACCESSORIES

- NEMA Photocell / Shorting Cap
- IoT Smart System (NEMA / Zhaga)

#### APPLICATION

- Road & Highway • Urban Road & Streets • Residential Streets
- Car Parks • Parks • Riverside • Jogging Track

SHOSHA/FL

EY353

LED FLOODLIGHT

MSC E

Football Field, Johor

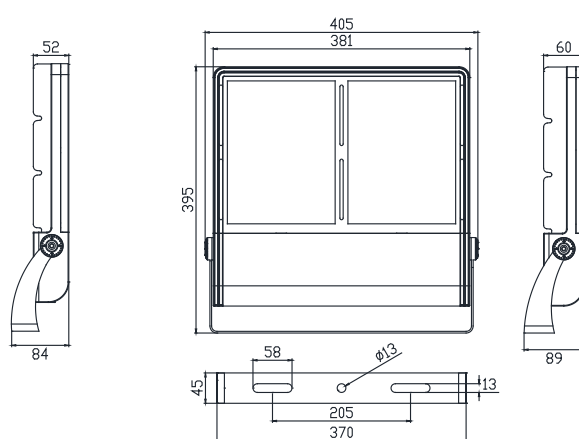
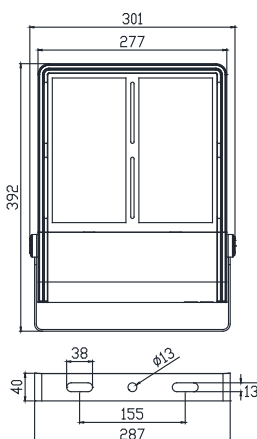
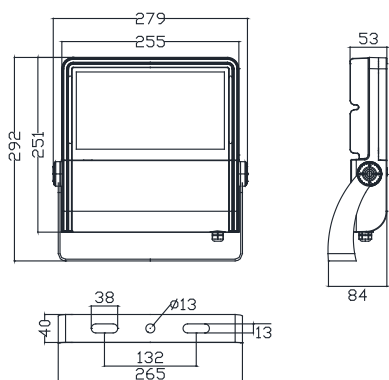


EY353-50W•70W

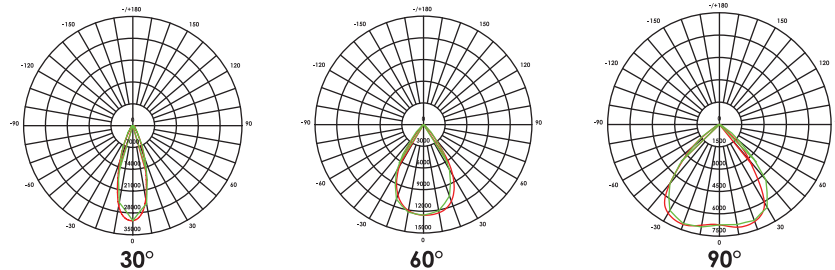
EY353-100W

EY353-150W•220W

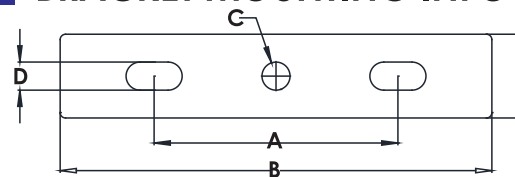
PRODUCT DIMENSION



PHOTOMETRY/BEAM ANGLE



BRACKET MOUNTING INFO



Model	Bracket Mounting Dimension (mm)				
	A	B	C	D	E
50W	132	265	Ø 13	13	40
70W	132	265	Ø 13	13	40
100W	155	287	Ø 13	13	40
150W	205	370	Ø 13	13	45
220W	205	370	Ø 13	13	45



MODEL NO.	EY353-50W	EY353-70W	EY353-100W	EY353-150W	EY353-220W
Power Consumption $\pm 5\%$ (W)	50W	70W	100W	150W	220W
Luminaire Flux $\pm 5\%$ (lm)	6,500 lm	9,100 lm	13,500 lm	20,250 lm	30,800 lm
System Efficacy $\pm 5\%$ (lm/W)	130 lm/W	130 lm/W	135 lm/W	135 lm/W	140 lm/W
Power Factor (PF)	0.95	0.95	0.95	0.95	0.95
HID Equivalent	100W	150W	250W	400W	400W
Internal Built-in Surge Protection Devices (kV)	4kV	4kV	6kV	6kV	6kV
Net Weight (kg)	3.20	3.20	4.70	6.60	6.80
Gross Weight (kg)	3.70	3.70	5.35	7.35	7.55
Product Dimension, L x W x H (mm)	292 x 279 x 85	292 x 279 x 85	392 x 301 x 84	395 x 405 x 89	395 x 405 x 89
Carton Dimension, L x W x H (mm)	350 x 320 x 130	350 x 320 x 130	450 x 355 x 130	455 x 455 x 125	455 x 455 x 125
CBM (m <sup>3</sup> )	0.015	0.015	0.021	0.026	0.026

Note: The above specified lumen and system efficiency based on standard CCT: 5000K

## TECHNICAL SPECIFICATION

### ELECTRICAL SYSTEM

- **Input Voltage** : 100 - 240Vac, 50/60Hz
- **Insulation Class** : Class I
- **LED Driver** : Meanwell ELG/XLG IP67 (100W-220W)  
Sosen H-Series (50W-70W)

### LIGHT SOURCE / OPTIC

- **LED Type** : SMD 5050 with TM21 and LM80
- **Color Temperature (CCT)** : Standard 6000K (3000K and others upon request)
- **Color Rendering Index (CRI)** : Ra > 70 (Ra > 80, 90 upon request)
- **Life Time Residual Flux** : (L70), >50,000 hours @ Ta : 50°C
- **Optical System** : 30°, 60° & 90° (4 in 1 lens) (Other professional lens available upon request)
- **Protective Cover** : Clear Tempered Glass
- **Working Temperature** : Ta : -30°C to +50°C

### APPLICATION

- Facade • Security • Signboard Lighting • Underpass
- Sport Lighting • Perimeter Lighting • Landscape

### CERTIFICATION AND COMPLIANCE TEST

- **Type Test Certified (Luminaire)** : MS IEC 60598-1  
: MS IEC 60598-2-5, IEC 62471  
: EN 62493
- **EMC Certified** : EN 61000-3-2, EN 61000-3-3  
: EN 55015, EN 61547
- **LED Compliance Test** : IESNA LM-80  
: TM-21
- **Ingress Protection Test** : IEC 60529 (IP66)
- **Impact Resistance Test** : IEC 62262 (IK08)
- **RoHS** : IEC 62321

### FIXTURE/HOUSING

- **Ingress Protection (IP)** : IP66
- **Impact Resistance (IK)** : IK08
- **Housing Material** : ADC 12 Die Cast Aluminium
- **Housing Finish** : Akzo Nobel Epoxy Powder Coating - Dark Grey

### OPTIONAL FEATURES/ACCESSORIES

- Motion Sensor
- DALI / 1-10V Dimming Control
- IoT Smart Lighting Control

# OUTDOOR LED LIGHTING



SHOSHA/FL

EY363- P & S & E

## LED FLOOD LIGHT



Baseball Stadium, Japan



EY363- 240W • 320W

EY363- 450W • 480W • 600W

EY363- 900W • 960W • 1200W

### OPTIONAL ANTI-GLARE PROTECTION

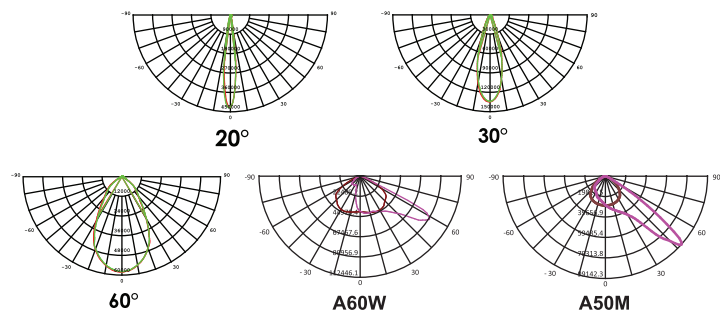
### PHOTOMETRY/BEAM ANGLE

Without glare shield

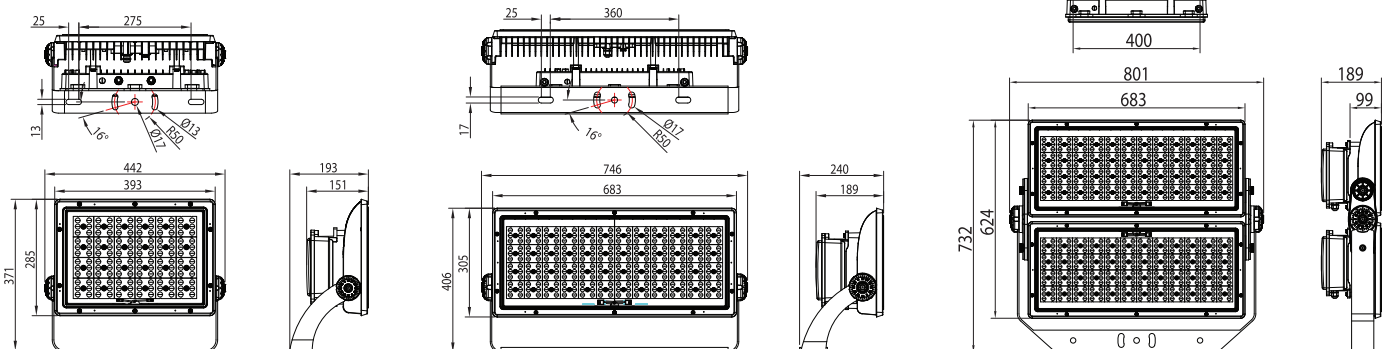
With Anti-Glare Shield



- With anti-glare shield it can prevent unwanted light which causing discomfort, distraction, or a reduction in visibility. (special order request)



### PRODUCT DIMENSION



MODEL NO.	EY363-240W-P	EY363-320W-P	EY363-450W-P	EY363-480W-P	EY363-600W-P	EY363-900W-P	EY363-960W-P	EY363-1200W-P
Power Consumption ±5% (W)	240W	320W	450W	480W	600W	900W	960W	1200W
Luminaire Flux ±5% (lm)	38,400	49,568	66,735	71,184	86,160	133,200	142,080	171,600
System Efficacy ±5% (lm/W)	160	155	148	148	144	148	148	143
Power Factor (PF)	0.97	0.97	0.97	0.97	0.97	0.97	0.97	0.97
HID Equivalent	500W	1000W	1500W	1500W	1800W	3000W	3000W	3600W
Net Weight (kg)	7.7	8.4	19.1	19.1	19.1	36.9	36.9	36.9
Gross Weight (kg)	8.4	9.1	20.6	20.6	20.6	39.2	39.2	39.2
Product Dimension, L x W x H (mm)	442 x 371 x 193			746 x 406 x 240			801 x 732 x 189	
Carton Dimension, L x W x H (mm)	458 x 338 x 225			805 x 370 x 260			860 x 770 x 262	
CBM (m <sup>3</sup> )	0.035			0.077			0.172	

Note 1: The above specified lumen and system efficiency based on standard CCT: 5000K & 60° beam.

Note 2: Other power 200W, 300W, 400W, 500W, 1000W, 1100W available upon request.

## TECHNICAL SPECIFICATION - VERSION P

### ELECTRICAL SYSTEM

- **Input Voltage** : 100 - 240Vac, 50/60Hz
- **Insulation Class** : Class I
- **LED Driver** : Inventronic EUM/EUD IP67
- **Surge Protection Devices** : I<sub>max</sub> 20kA (40kV)

### LIGHT SOURCE / OPTIC

- **LED Type** : LUMILEDS 5050 with TM21 and LM80  
: OSRAM 3737 (For asymmetrical beam)
- **Color Temperature (CCT)** : Standard 5000K  
(Others upon request)
- **Color Rendering Index (CRI)** : Ra > 70  
(Ra > 80, 90 upon request)
- **Life Time Residual Flux** : (L80), >50,000 hours  
@ Ta = 40°C
- **Optical System** : 20°, 30° & 60° Beam Angle  
: PC Lens with Tempered Glass Cover
- **Working Temperature** : Ta : -30°C to +40°C

### FIXTURE/HOUSING

- **Ingress Protection (IP)** : IP66
- **Impact Resistance (IK)** : IK09
- **Housing Material** : ADC 12 Die-Cast Aluminium
- **Housing Finish** : Powder Coating - RAL7005 Grey

### COMPLIANCE

- **Type Test Certified (Luminaire)** : IEC 60598-1, IEC 60598-2-1  
: IEC 60598-2-5, IEC/TR 62778
- **EMC Certified (LED Driver)** : IEC 61000-3-2, IEC 61000-3-3  
: IEC 55015, EN 61547, EN 62493
- **LED Compliances Test** : IESNA LM-80, TM-21
- **Ingress Protection Test** : IEC 60529 (IP66)
- **Impact Resistance Test** : IEC 62262 (IK09)
- **RoHS Compliance** : EN62321
- **Vibration Test** : IEC60068-2-6 (5G vibration test)

### OPTIONAL FEATURES/ACCESSORIES

- Motion Sensor
- Smart Lighting Controller
- Customizable Wattage upon request

### APPLICATION

- Highway Interchange • Highmast • Façade Lighting
- Car Parks • Parks • Riverside • Sport Lighting
- Toll Plaza • Airport Apron • Quay Crane • Port Lighting

### STOCK AVAILABILITY REGION - VERSION P

- MALAYSIA • SINGAPORE • THAILAND • INDONESIA

MODEL NO.	EY363-240W-S	EY363-320W-S	EY363-450W-S	EY363-480W-S	EY363-600W-S	EY363-900W-S	EY363-960W-S	EY363-1200W-S
Power Consumption ±5% (W)	240W	320W	450W	480W	600W	900W	960W	1200W
Luminaire Flux ±5% (lm)	38,400	49,568	66,735	71,184	86,160	133,200	142,080	171,600
System Efficacy ±5% (lm/W)	160	155	148	148	144	148	148	143
Power Factor (PF)	0.97	0.97	0.97	0.97	0.97	0.97	0.97	0.97
HID Equivalent	500W	1000W	1500W	1500W	1800W	3000W	3000W	3600W
Net Weight (kg)	7.7	8.4	19.1	19.1	19.1	36.9	36.9	36.9
Gross Weight (kg)	8.4	9.1	20.6	20.6	20.6	39.2	39.2	39.2
Product Dimension, L x W x H (mm)	442 x 371 x 193			746 x 406 x 240			801 x 732 x 189	
Carton Dimension, L x W x H (mm)	458 x 338 x 225			805 x 370 x 260			860 x 770 x 262	
CBM (m <sup>3</sup> )	0.035			0.077			0.172	

Note 1: The above specified lumen and system efficiency based on standard CCT: 5000K & 60° beam.

Note 2: Other power 200W, 300W, 400W, 500W, 1000W, 1100W available upon request.

## TECHNICAL SPECIFICATION - VERSION S

### ELECTRICAL SYSTEM

- **Input Voltage** : 100 - 240Vac, 50/60Hz
- **Insulation Class** : Class I
- **LED Driver** : SOSEN VP IP67
- **Surge Protection Devices** : I<sub>max</sub> 20kA (40kV)

### LIGHT SOURCE / OPTIC

- **LED Type** : LUMILEDS 5050 with TM21 and LM80  
: OSRAM 3737 (For asymmetrical beam)
- **Color Temperature (CCT)** : Standard 5000K  
(Others upon request)
- **Color Rendering Index (CRI)** : Ra > 70  
(Ra > 80, 90 upon request)
- **Life Time Residual Flux** : (L80), >50,000 hours  
@ Ta = 40°C
- **Optical System** : 20°, 30° & 60° Beam Angle  
: PC Lens with Tempered Glass Cover
- **Working Temperature** : Ta : -30°C to +40°C

### FIXTURE/HOUSING

- **Ingress Protection (IP)** : IP66
- **Impact Resistance (IK)** : IK09
- **Housing Material** : ADC 12 Die-Cast Aluminium
- **Housing Finish** : Powder Coating - RAL7005 Grey

### COMPLIANCE

- **Type Test Certified (Luminaire)** : IEC 60598-1, IEC 60598-2-1  
: IEC 60598-2-5, IEC/TR 62778
- **EMC Certified (LED Driver)** : IEC 61000-3-2, IEC 61000-3-3  
: IEC 55015, EN 61547, EN 62493
- **LED Compliances Test** : IESNA LM-80, TM-21
- **Ingress Protection Test** : IEC 60529 (IP66)
- **Impact Resistance Test** : IEC 62262 (IK09)
- **RoHS Compliance** : EN62321
- **Vibration Test** : IEC60068-2-6 (5G vibration test)

### OPTIONAL FEATURES/ACCESSORIES

- Motion Sensor
- Smart Lighting Controller
- Customizable Wattage upon request

### APPLICATION

- Highway Interchange • Highmast • Façade Lighting
- Car Parks • Parks • Riverside • Sport Lighting
- Toll Plaza • Airport Apron • Quay Crane • Port Lighting

### STOCK AVAILABILITY REGION - VERSION S

- SINGAPORE • OTHER REGION AVAILABLE UPON REQUEST

MODEL NO.	EY363-240W-E	EY363-320W-E	EY363-450W-E	EY363-480W-E	EY363-600W-E	EY363-900W-E	EY363-960W-E	EY363-1200W-E
Power Consumption ±5% (W)	240W	320W	450W	480W	600W	900W	960W	1200W
Luminaire Flux ±5% (lm)	38,400	49,568	66,735	71,184	86,160	133,200	142,080	171,600
System Efficacy ±5% (lm/W)	160	155	148	148	144	148	148	143
Power Factor (PF)	0.97	0.97	0.97	0.97	0.97	0.97	0.97	0.97
HID Equivalent	500W	1000W	1500W	1500W	1800W	3000W	3000W	3600W
Net Weight (kg)	7.7	8.4	19.1	19.1	19.1	36.9	36.9	36.9
Gross Weight (kg)	8.4	9.1	20.6	20.6	20.6	39.2	39.2	39.2
Product Dimension, L x W x H (mm)	442 x 371 x 193		746 x 406 x 240			801 x 732 x 189		
Carton Dimension, L x W x H (mm)	458 x 338 x 225		805 x 370 x 260			860 x 770 x 262		
CBM (m <sup>3</sup> )	0.035		0.077			0.172		

Note 1: The above specified lumen and system efficiency based on standard CCT: 5000K

Note 2: Other power 200W, 300W, 400W, 500W, 1000W, 1100W available upon request.

## TECHNICAL SPECIFICATION - VERSION E

### ELECTRICAL SYSTEM

- **Input Voltage** : 100 - 240Vac, 50/60Hz
- **Insulation Class** : Class I
- **LED Driver** : SOSEN VP IP67
- **Surge Protection Devices** : I<sub>max</sub> 20kA (40kV)

### LIGHT SOURCE / OPTIC

- **LED Type** : TYF 5050 with TM21 and LM80  
: OSRAM 3737 (For asymmetrical beam)
- **Color Temperature (CCT)** : Standard 5000K  
(Others upon request)
- **Color Rendering Index (CRI)** : Ra > 70  
(Ra > 80, 90 upon request)
- **Life Time Residual Flux** : (L80), >50,000 hours  
@ Ta = 40°C
- **Optical System** : 20°, 30° & 60° Beam Angle  
: PC Lens with Tempered Glass Cover
- **Working Temperature** : Ta : -30°C to +40°C

### FIXTURE/HOUSING

- **Ingress Protection (IP)** : IP66
- **Impact Resistance (IK)** : IK09
- **Housing Material** : ADC 12 Die-Cast Aluminium
- **Housing Finish** : Powder Coating - RAL7005 Grey

### COMPLIANCE

- **Type Test Certified (Luminaire)** : IEC 60598-1, IEC 60598-2-1  
: IEC 60598-2-5, IEC/TR 62778
- **EMC Certified (LED Driver)** : IEC 61000-3-2, IEC 61000-3-3  
: IEC 55015, EN 61547, EN 62493
- **LED Compliances Test** : IESNA LM-80, TM-21
- **Ingress Protection Test** : IEC 60529 (IP66)
- **Impact Resistance Test** : IEC 62262 (IK09)
- **RoHS Compliance** : EN62321
- **Vibration Test** : IEC60068-2-6 (5G vibration test)

### OPTIONAL FEATURES/ACCESSORIES

- Motion Sensor
- Smart Lighting Controller
- Customizable Wattage upon request

### APPLICATION

- Highway Interchange • Highmast • Façade Lighting
- Car Parks • Parks • Riverside • Sport Lighting
- Toll Plaza • Airport Apron • Quay Crane • Port Lighting

### STOCK AVAILABILITY REGION - VERSION E

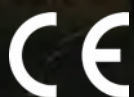
- OTHER REGION AVAILABLE UPON REQUEST
- PROJECT BY PROJECT BASIS AVAILABLE

# INDUSTRIAL LED LIGHTING

TENJO/HB  
**EY919**

**LED HIGHBAY**

**EYELITE**



Open Multipurpose Hall, Malaysia

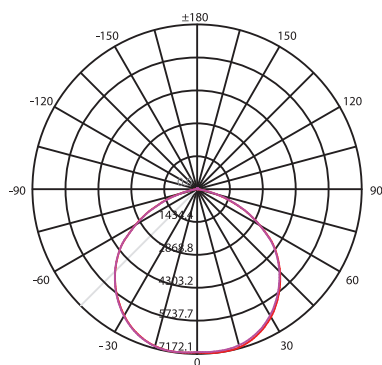


EY919-240W



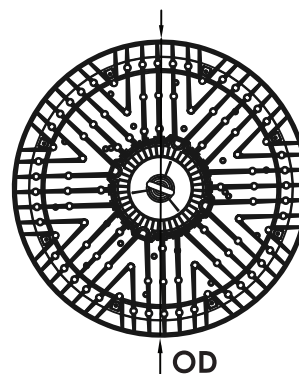
EY919-300W

## PHOTOMETRY/BEAM ANGLE



~120°

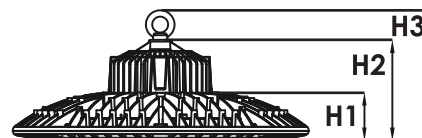
## PRODUCT DIMENSION



OD

## PRODUCT FEATURES

- High Efficiency LED Highbay
- IP65 protection against moisture & dust
- Easy & Quick Installation/Maintenance
- Aluminium die-cast body with effective heat dissipation design
- Efficacy up to 130 lm/W (Ra>80), Up to **145lm/W** (Ra>70)
- Last longer with separate LED Driver (Non AC driver on board)



\* Hook is not included in packaging.

MODEL NO.	EY919-240W	EY919-300W
Power Consumption $\pm 5\%$ (W)	240W	300W
Luminaire Flux $\pm 5\%$ (lm)	31,200 lm	39,000 lm
System Efficacy $\pm 5\%$ (lm/W)	130 lm/W	130 lm/W
Power Factor (PF)	0.95	0.95
HID Equivalent	600W	1000W
Net Weight (kg)	7.10	7.20
Gross Weight (kg)	8.80	8.90
Height H1, H2, H3 (mm)	70,139,177	70,139,177
Outer Dimension, OD (mm)	430	430
Carton Dimension, L x W x H (mm)	485 x 485 x 200	485 x 485 x 200
CBM (m <sup>3</sup> )	0.047	0.047

Note: The above specified lumen and system efficiency based on standard CCT: 6000K, Ra>80.

## TECHNICAL SPECIFICATION

### ELECTRICAL SYSTEM

- **Input Voltage** : 100 - 240Vac, 50/60Hz
- **Insulation Class** : Class I
- **LED Driver** : Meanwell HBG IP65

### LIGHT SOURCE / OPTIC

- **LED Type** : SMD 3030 with TM21 and LM80
- **Color Temperature (CCT)** : Standard 6000K (others 3000K & 4000K upon request)
- **Color Rendering Index (CRI)** : Ra > 80 (Ra > 90 upon request)
- **Life Time Residual** : (L70), >50,000 hours @ Ta : 50°C
- **Optical System** : ~120° with standard tempered glass cover
- **Working Temperature** : Ta = -30° to +45°C

### FIXTURE/HOUSING

- **Ingress Protection (IP)** : IP65
- **Housing Material** : ADC 12 die-cast Aluminium
- **Housing Finish** : Akzo Nobel Epoxy Powder Coating - Black

### APPLICATION

- Warehouse • Factory • Halls & Retails • Hangar • Sport Centre

### CERTIFICATION AND COMPLIANCE TEST

- **Type Test Certified (Luminaire)** : EN 60598-1  
: EN 60598-2-1  
: EN 62493  
: EN 62471
- **EMC Certified** : EN 61000-3-2, EN61000-3-3  
: EN 55015, EN 61547
- **LED Compliances Test** : IESNA LM-80  
: TM-21

### OPTIONAL FEATURES/ACCESSORIES

- Motion Sensor
- DALI / 1-10V dimming Control
- IoT Smart Lighting Control
- Clear PC Lens (Safe for food process factory)
- Opal PC Lens (Glare reduction)
- Glare control diffuser (Optional upon request)

# INDUSTRIAL LED LIGHTING



TENJO/HB  
**EY969**

**LED HIGHBAY**

**170lm/W**



Aircraft Hangar, Malaysia

**STANDARD 1-10V  
DIMMABLE DRIVER**

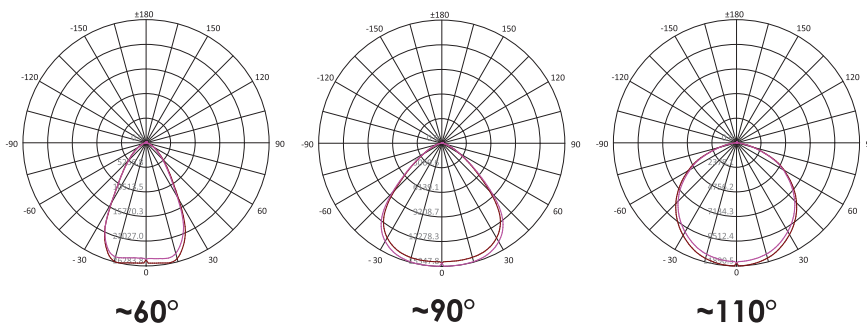


**EY969-60W • 80W • 100W • 120W**



**EY969-150W • 200W**

## PHOTOMETRY/BEAM ANGLE



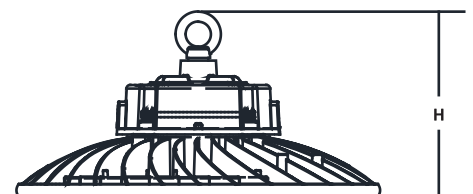
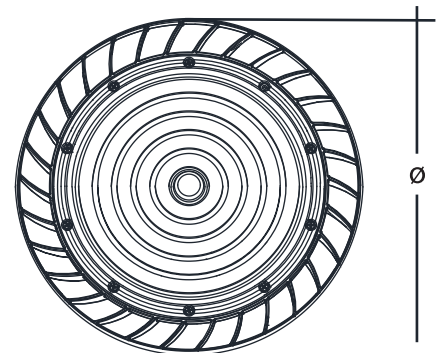
\* motion sensor version is 100° beam angle.

## PRODUCT FEATURES

- High Efficiency LED Highbay up to **170lm/W**
- IP65 protection against moisture & dust
- Easy & Quick Installation/Maintenance
- Aluminium die-cast body with effective heat dissipation design
- Last longer with separate LED Driver (Non AC driver on board)



## PRODUCT DIMENSION



\* Packaging Excludes Hook,  
Only safety cable &  
1-bolt available.



MODEL NO.	EY969-60W	EY969-80W	EY969-100W	EY969-120W	EY969-150W	EY969-200W
Power Consumption $\pm 5\%$ (W)	60W	80W	100W	120W	150W	200W
Luminaire Flux $\pm 5\%$ (lm)	10,200	13,600	17,000	20,400	25,500	34,000
System Efficacy $\pm 5$ (lm/W)	170	170	170	170	170	170
Power Factor (PF)	0.95	0.95	0.95	0.95	0.95	0.95
LED Driver Efficiency	0.93	0.93	0.93	0.95	0.95	0.95
Wattage per LED Chip (W)	0.29	0.38	0.48	0.40	0.50	0.50
HID Equivalent	150W	200W	250W	300W	375W	500W
Net Weight (kg)	2.10	2.20	2.20	2.25	3.05	3.05
Gross Weight (kg)	3.00	3.00	3.00	3.05	4.15	4.15
Dimension (mm)	$\Phi 290 \times 147$	$\Phi 290 \times 147$	$\Phi 290 \times 147$	$\Phi 290 \times 147$	$\Phi 340 \times 158$	$\Phi 340 \times 158$
Carton Dimension, L x W x H (mm)	335 x 335 x 180	335 x 335 x 180	335 x 335 x 180	335 x 335 x 180	420 x 420 x 195	420 x 420 x 195
CBM (m <sup>3</sup> )	0.02	0.02	0.02	0.02	0.034	0.034

Note: The above specified lumen and system efficiency based on standard CCT: 6000K, Beam: 90deg, Ra>70.

## TECHNICAL SPECIFICATION

### ELECTRICAL SYSTEM

- **Input Voltage** : 100 - 240Vac, 50/60Hz, PF > 0.95
- **Insulation Class** : Class I

### LIGHT SOURCE / OPTIC

- **LED Type** : SMD 2835 with TM21 and LM80
- **Color Temperature (CCT)** : 4000K-6000K (200 LPW & others upon request)
- **Color Rendering Index (CRI)** : Ra > 70 (Ra > 80, 90 upon request)
- **Life Time Residual Flux (L70)** : >50,000 hours @ Ta: 40°C
- **Optical System** : Standard 90° (60° and 110° Upon Request)
- **Working Temperature** : Ta = -10° to + 40°C

### FIXTURE/HOUSING

- **Ingress Protection (IP)** : IP65
- **Housing Material** : ADC 12 die-cast Aluminium
- **Housing Finish** : Akzo Nobel Epoxy Powder Coating - Black

### APPLICATION

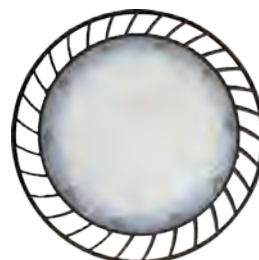
- Warehouse • Factory • Halls & Retails • Hangar • Sport Centre

### COMPLIANCE

- **Type Test Certified (Luminaire)** : IEC 60598-1 : IEC 60598-2-1
- **EMC Certified** : EN 61000-3-2, EN 61000-3-3 : EN 55015, EN 61547
- **LED Compliances Test** : IESNA LM-80 : TM-21
- **RoHS** : IEC 62321

### OPTIONAL FEATURES/ACCESSORIES

- Motion Sensor
- DALI / 1-10V dimming Control
- Smart Control System
- U-Bracket Mounting
- Opal Anti-Glare Visor



Opal PC Cover Optional



Motion Sensor Optional

## OUTDOOR LED LIGHTING

SANBO/WP

# EY253

## LED WEATHER-PROOF

# EYELITE



EMERGENCY  
POWER PACK  
COMPATIBLE

# CB CE

Outdoor Motorcycle Parking, Cambodia



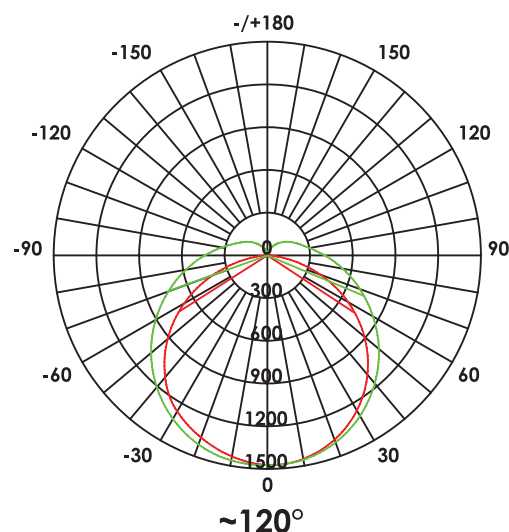
## PRODUCT DIMENSION



## PRODUCT FEATURES

- Rigid extrusion of PC housing and Injection molding of PC covers
- Protection against water and dust (IP65) and impact (IK08)
- High lumen output provides energy saving
- Flicker Free LED Lighting, Smooth video recording under the light, comfortable to eyes.

## PHOTOMETRY/BEAM ANGLE



# TECHNICAL DATA



MODEL NO.	EY253-18W	EY253-18WL	EY253-36W	EY253-50W
Power Consumption $\pm 5\%$ (W)	18W	18W	36W	50W
Luminaire Flux $\pm 5\%$ (lm)	1,890 lm	1,980 lm	3,960 lm	5,500 lm
System Efficacy $\pm 5\%$ (lm/W)	105 lm/W	110 lm/W	110 lm/W	110 lm/W
Power Factor (PF)	0.98	0.98	0.98	0.98
Replacement of Magnetic Fluorescent	1 x 36W	1 x 36W	2 x 36W	2 x 58W
Total Harmonic Distortion (THD) %	<10%	<20%	<10%	<10%
Colour Tolerance (SDCM)	$\leq 6$	$\leq 6$	$\leq 6$	$\leq 6$
Net Weight (kg)	0.71	1.08	1.10	1.32
Gross Weight (kg)	18.38	22.15	22.15	20.15
Product Dimension, L x W x H (mm)	650 x 71 x 82	1250 x 71 x 82	1250 x 71 x 82	1550 x 71 x 82
Individual Carton Dimension, L x W x H (mm)	660 x 75 x 85	1260 x 75 x 85	1260 x 75 x 85	1560 x 75 x 85
Master Carton Dimension, L x W x H (mm)	680 x 330 x 460	1280 x 330 x 370	1280 x 330 x 370	1575 x 250 x 370
Quantity/Master Carton (pcs)	20	16	16	12
CBM (m <sup>3</sup> )	0.103	0.156	0.156	0.146

Note: The above specified lumen and system efficiency based on standard CCT: 6500K.

## TECHNICAL SPECIFICATION

### ELECTRICAL SYSTEM

- **Input Voltage** : 200 - 240Vac, 50/60Hz
- **Insulation Class** : Class I
- **LED Driver** : Flicker Free - OSRAM OT/FT

### LIGHT SOURCE / OPTIC

- **LED Type** : SMD 2835 with TM21 and LM80
- **Color Temperature (CCT)** : Standard 4000K/6500K (3000K and others upon request)
- **Color Rendering Index (CRI)** : Ra > 80 (Ra > 90 upon request)
- **Life Time Residual Flux** : (L70), >50,000 hours @ Ta: 40°C
- **Optical System** : ~120° Opal PC Extrusion Diffuser
- **Working Temperature** : Ta : -30°C to +40°C

### FIXTURE/HOUSING

- **Ingress Protection (IP)** : IP65
- **Impact Resistance (IK)** : IK08
- **Housing Material** : PC Extrusion and PC Side Covers  
: UL-94 Fire Retardant Grade  
: UV Stabilized Polycarbonate

### CERTIFICATION AND COMPLIANCE TEST

- **Type Test Certified (Luminaire)** : CB Scheme IEC 60598-1, EN 60598-1  
: IEC & EN 60598-2-1, IEC/EN 62471  
: EN 62493
- **EMC Certified** : EN 61000-3-2, EN 61000-3-3  
: EN 55015, EN 61547
- **LED Compliance Test** : IESNA LM-80  
: TM-21
- **Ingress Protection Test** : Accord to IEC 60598-1 (IP65)
- **Impact Resistance Test** : IEC 62262 (IK08)
- **RoHS** : IEC 62321

### APPLICATION

- Carpark • Staircase • Canopy • Garden Shed • Walkway
- Corridors • Factory • Warehouse • Underpass • VBC

### OPTIONAL FEATURES/ACCESSORIES

- Series Connection Double End Plug-in Version - EY253-36W-SC
- Motion Sensor
- DALI / 1-10V Dimming Control

\*Luminaires should be mounted in a shady or covered environment protected against direct sunlight. Due to the possible chemical reaction of polymer nature of housing, luminaire must not be installed in places where there are presence of high concentration of acid or alkaline environment.

# MICROWAVE SENSOR

SANBO/WP

# EY253

# LED SPLASH-PROOF



Basement Car Park, Singapore



EY253-18W-MS

EY253-18WL-MS • 36W-MS



Stand-by Dimming level



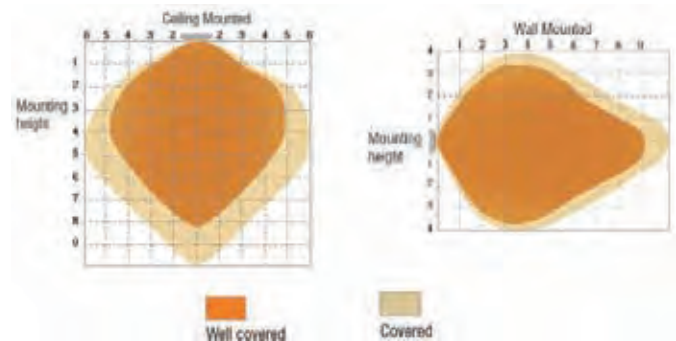
Hold Time



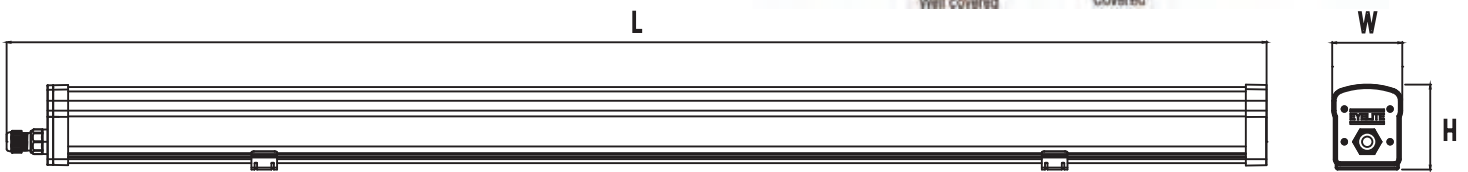
Microwave motion Sensor

- Standby dimming level at 10% consume only 7W
- Holding time is 1 minute

## DETECTION COVERAGE



## PRODUCT DIMENSION



## PRODUCT FEATURES

- Rigid extrusion of PC housing and Injection molding of PC covers
- Protection against water and dust (IP65) and impact (IK08)
- High lumen output provides energy saving

### MICROWAVE MOTION SENSOR

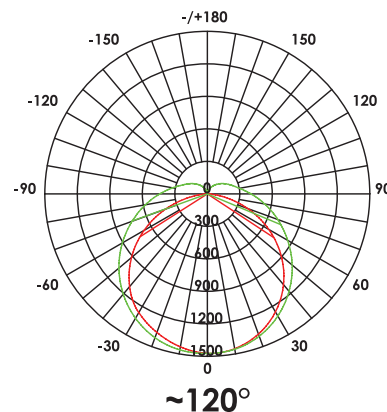
- Save energy by demand activities
- Standby mode for 36W model consumes only of average 7W
- Sensitive and wide detection area



Power consumption at 10% dimming

- EY253-18W: 4W
- EY253-36W: 7W

## PHOTOMETRY/BEAM ANGLE



MODEL NO.	EY253-18WXXXMS	EY253-18WLXXXMS	EY253-36WXXXMS
Power Consumption $\pm 5\%$ (W)	18W	18W	36W
Luminaire Flux $\pm 5\%$ (lm)	1,890 lm	1,980 lm	3,960 lm
System Efficacy $\pm 5\%$ (lm/W)	105 lm/W	110 lm/W	110 lm/W
Power Factor (PF)	0.90	0.90	0.90
Microwave Frequency	5.8GHz +/- 75MHz		
Protection circuit	Short circuit auto recovery, over voltage, over current, over temperature		
Detection angle	30 to 150 degree		
Mounting distance	Max 6m (ceiling mounted), Max 3m (wall mounted)		
Detection range	Max 14m (ceiling mounted), Max 10m (wall mounted)		
Net Weight (kg)	0.71	1.08	1.10
Gross Weight (kg)	18.38	22.15	22.15
Product Dimension, L x W x H (mm)	650 x 71 x 82	1250 x 71 x 82	1250 x 71 x 82
Individual Carton Dimension, L x W x H (mm)	660 x 75 x 85	1260 x 75 x 85	1260 x 75 x 85
Master Carton Dimension, L x W x H (mm)	680 x 330 x 460	1280 x 330 x 370	1280 x 330 x 370
Quantity/Master Carton (pcs)	20	16	16
CBM (m <sup>3</sup> )	0.103	0.156	0.156

Note: The above specified lumen and system efficiency based on standard CCT: 6500K.

Note: Model number EY253-18WXXXMS,XXX denotes CCT, 30K:3000K, 40K:4000K, 65K: 6500K

## TECHNICAL SPECIFICATION

### ELECTRICAL SYSTEM

- **Input Voltage** : 200 - 240Vac, 50/60Hz
- **Insulation Class** : Class I
- **LED Driver** : c/w microwave sensor module

### LIGHT SOURCE / OPTIC

- **LED Type** : SMD 2835 with TM21 and LM80
- **Color Temperature (CCT)** : Standard 4000K/6500K (3000K and others upon request)
- **Color Rendering Index (CRI)** : Ra > 80 (Ra > 90 upon request)
- **Life Time Residual Flux** : (L70), >50,000 hours @ Ta: 40°C
- **Optical System** : ~120° Opal PC Extrusion Diffuser
- **Working Temperature** : Ta : -30°C to +40°C

### APPLICATION

- Carpark • Staircase • Canopy • Garden Shed • Walkway
- Corridors • Factory • Warehouse • Underpass • VBC

### CERTIFICATION AND COMPLIANCE TEST

- **Type Test Certified (Luminaire)** : EN 60598-1, EN 60598-2-1, EN 61000-3-2, EN 61000-3-3, EN61347, EN61347-2-13
- **EMC Certified** : EN 55015
- **LED Compliance Test** : IESNA LM-80, TM-21
- **Ingress Protection Test** : Accord to IEC 60598-1 (**IP65**)
- **Impact Resistance Test** : IEC 62262 (**IK08**)
- **RoHS** : IEC 62321

### FIXTURE / HOUSING

- **Ingress Protection (IP)** : IP65
- **Impact Resistance (IK)** : IK08
- **Housing Material** : PC Extrusion and PC Side Covers, UL-94 Fire Retardant Grade, UV Stabilized Polycarbonate

\*Luminaires should be mounted in a shady or covered environment protected against direct sunlight. Due to the possible chemical reaction of polymer nature of housing, luminaire must not be installed in places where there are presence of high concentration of acid or alkaline environment.



**Swimming Pool, Singapore**



**HDB Fitness Area, Singapore**



**Nagoya Dome Nagoya City, Aichi Prefecture, Japan**



**Kuala Langat, Selangor, Malaysia**

## “*INNOVATIVE LIGHT, BRIGHT FUTURE*”

**EYE IWASAKI ELECTRIC CO., LTD. (Japan)** 

Address: 1-1-7 Higashi-nihonbashi, Chuo-Ku, Tokyo 103-0004 Japan.

Tel: +81-3-5847 8630

Fax: +81-3-5847 8647

Email: sales@eye.co.jp

**EYE EYE LIGHTING ASIA PACIFIC PTE LTD (Singapore)** 

Address: 21 Kaki Bukit Place Eunos Techpark, Singapore 416 199

Tel: +65-6742 3611

Fax: +65-6743 5202

Email: support@eyelighting.com.sg

**EYE ELM LIGHTING SDN BHD (Malaysia)** 

Address: No.14A, Jalan Meteor U16/153, Elmina Seksyen U16, 40160 Shah Alam, Selangor, Malaysia.

Tel 1: +6011-1875 9366

Tel 2: 03-7832 7600

Email: sales@elmlighting.com.my

**EYE EYE LIGHTING AUSTRALIA PTY LTD (Australia)** 

Address: 15 Industrial Avenue Wacol QLD 4076

Tel: +61-(0)7-3335-3555

Fax: +61-(0)7-3335-3555

Email: info@eli.com.au

Official Website (Malaysia) : [www.eyelighting.com.my](http://www.eyelighting.com.my)

Official Website (ASEAN) : [www.eyelightingasia.com](http://www.eyelightingasia.com)

Official Website (Japan) : [www.eye.co.jp](http://www.eye.co.jp)



Website



Facebook